

KSG52E

Product family	Hood
Hood Type	Integrated hood
Design	Fully integrated
Extraction	Extraction
Material	Painted material
EAN code	8017709275129
Aesthetic	Universale
Colour	Silver
Serigraphy colour	Black
Logo	Silk screen



Controls

Control setting	Slider
-----------------	--------

Programs / Functions

No. of speeds	3
---------------	---

Technical Features

			
No. of lights	2	No. of filters	1
Light type	LED	Anti-grease filters	Aluminium
Light Power	3 W	Vent outlet	120 mm
Light color temperature scale (°K)	2700 °K	Minimum distance from GAS hob	650 mm
Free outlet maximum capacity	232 m ³ /h	Minimum distance from ELECTRIC hob	500 mm
Motor power	75 W	Non return valve	Yes

	Extraction rate IEC 61591 [m ³ /h]	Noise level IEC 60704-2-13 [dBA]
Speed 1	125	45
Speed 2	155	47

Speed 3	224	54
------------	-----	----

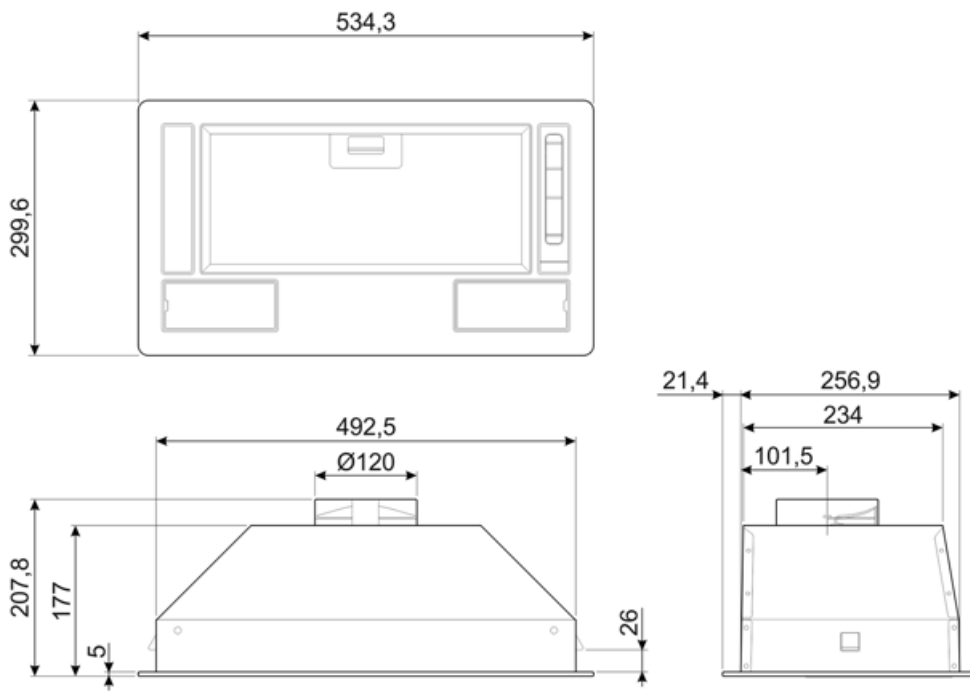
Performance / Energy Label



Annual Efficiency Consumption (AEChood)	50 kWh/a	Airbourne acoustical A-weighted sound Power Emission at minimum speed (SPEmin)	45 dBA
Energy efficiency class (EEC)	C	Airborne acoustical A-weighted sound Power Emission at maximum speed (SPEmax)	54 dBA
Fluid Dynamic Efficiency (FDE)	8.8	Time increase factor (F)	1.7
Fluid Dynamic Efficiency class (FDEC)	E	Energy Efficiency Index	84.7
Lighting Efficiency (LE)	13 lux/W	Measured air flow rate at best efficiency point (Qbep)	160 m ³ /h
Lighting Efficiency Class (LEC)	D	Measured air pressure at best efficiency point (Pbep)	145 Pa
Grease Filtering Efficiency (GFE)	56 %	Measured electric power input at best efficiency point (Wbep)	74 W
Grease Filtering Efficiency Class (GFEC)	E	Nominal Power consumption of the light system (WL)	6 W
Air flow at minumum speed (Qmin)	125 m ³ /h	Average illumination of the light on the cooking surface (Emiddle)	78 lux
Air flow at maximum speed (Qmax)	224 m ³ /h	Sound power level at highest setting (Lwa)	54 dBA

Electrical Connection

Plug	Not present	Frequency (Hz)	50-60 Hz
Electrical connection rating	81 W	Power supply cable length	1500 mm
Voltage	220-240 V		



Compatible Accessories

KITFC62

Charcoal filter round (kit 2 pieces)



Symbols glossary



Filters: Model has filters to help remove grease from the steam emanating from the pans during cooking.



Lights: All cooker hoods feature lights to illuminate the cooking area or add to the ambience of the kitchen.

