

KSG52HE

Product family	Hood
Hood Type	Integrated hood
Design	Fully integrated
Extraction	Extraction
Material	Painted material
EAN code	8017709275143
Hood width	54 cm
Aesthetic	Universale
Colour	Silver
Serigraphy colour	Black
Logo	Silk screen



Controls

Control setting	Slider
-----------------	--------

Program / Functions

No. of speeds	3
---------------	---

Technical Features



No. of lights	2	No. of filters	1
Light type	LED	Anti-grease filters	Aluminium
Light Power	3 W	Vent outlet	120 mm
Light color temperature scale (K)	2700 K	Minimum distance from GAS hob	650 mm
Free outlet maximum capacity	406 m ³ /h	Minimum distance from ELECTRIC hob	500 mm
Motor power	140 W	Non return valve	Yes

	Extraction rate IEC 61591 [m ³ /h]	Noise level IEC 60704-2-13 [dBA]
Speed 1	288	62
Speed 2	340	66

Speed 3	368	67
------------	-----	----

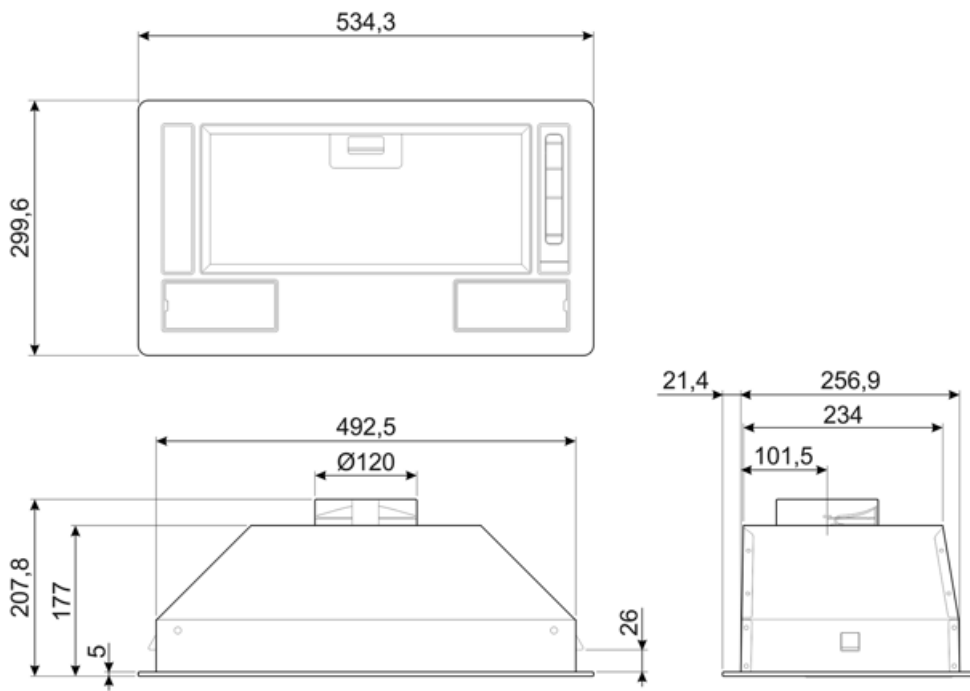
Performance / Energy Label



Annual Efficiency Consumption (AEChood)	71 kWh/a	Airbourne acoustical A-weighted sound Power Emission at minimum speed (SPEmin)	62 dBA
Energy efficiency class (EEC)	D	Airborne acoustical A-weighted sound Power Emission at maximum speed (SPEmax)	67 dBA
Fluid Dynamic Efficiency (FDE)	11	Time increase factor (F)	1,6
Fluid Dynamic Efficiency class (FDEC)	E	Energy Efficiency Index	87,3
Lighting Efficiency (LE)	12,1 lux/W	Measured air flow rate at best efficiency point (Qbep)	206 m ³ /h
Lighting Efficiency Class (LEC)	D	Measured air pressure at best efficiency point (Pbep)	218 Pa
Grease Filtering Efficiency (GFE)	66 %	Measured electric power input at best efficiency point (Wbep)	113 W
Grease Filtering Efficiency Class (GFEC)	D	Nominal Power consumption of the light system (WL)	6 W
Air flow at minumum speed (Qmin)	290 m ³ /h	Average illumination of the light on the cooking surface (Emiddle)	73 lux
Air flow at maximum speed (Qmax)	368 m ³ /h	Sound power level at highest setting (Lwa)	67 dBA

Electrical Connection

Electrical connection rating	146 W	Frequency (Hz)	50-60 Hz
Current		Power supply cable length	
Voltage	220-240 V	Plug	Not present



Compatible Accessories

KITFC62

Charcoal filter round (kit 2 pieces)



Symbols glossary



Filters: Model has filters to help remove grease from the steam emanating from the pans during cooking.



Lights: All cooker hoods feature lights to illuminate the cooking area or add to the ambience of the kitchen.

