

KSG70E

Product family	Hood
Hood Type	Integrated hood
Design	Fully integrated
Extraction	Ducted out or re-circulation possible
Material	Painted material
EAN code	8017709275136
Hood width	73 cm



Aesthetics

Aesthetics	Universal	Serigraphy colour	Black
Colour	Silver	Logo	Silk screen



Controls

Control setting	Slider
-----------------	--------

Programs / Functions

No. of speeds	3
---------------	---

Technical Features

			
No. of lights	2	No. of filters	2
Light type	LED	Anti-grease filters	Aluminium
Light power	3 W	Vent outlet	120 mm
Light color temperature scale (°K)	2700 °K	Minimum distance from GAS hob	650 mm
Free outlet maximum capacity	232 m ³ /h	Minimum distance from ELECTRIC hob	500 mm
Motor power	75 W	Non return valve	Yes

	Extraction rate IEC 61591 [m ³ /h]	Noise level IEC 60704-2-13 [dB(A)]
Speed 1	125	45
Speed 2	155	47
Speed 3	224	54

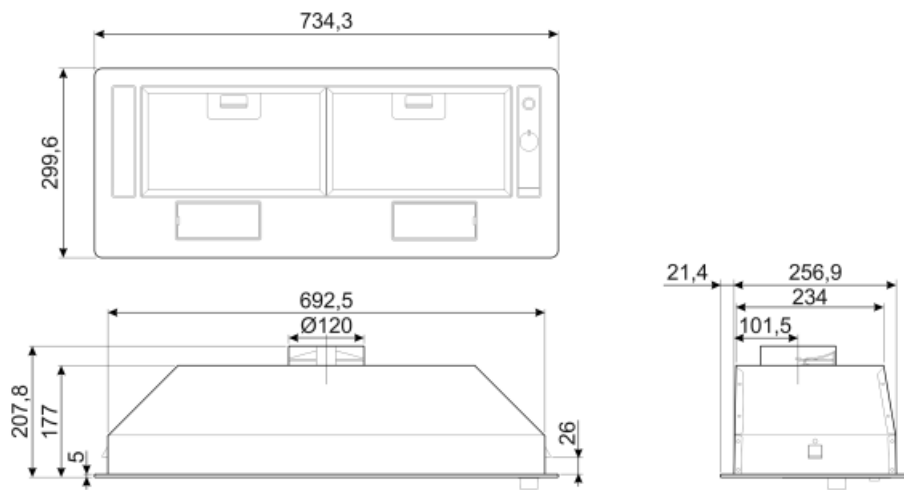
Performance / Energy Label

C

Annual Efficiency Consumption (AEChood)	50 kWh/year	Airbourne acoustical A-weighted sound Power Emission at minimum speed (SPEmin)	45 dB(A)
Energy efficiency class (EEC)	C	Airborne acoustical A-weighted sound Power Emission at maximum speed (SPEmax)	54 dB(A)
Fluid Dynamic Efficiency (FDE)	8.8	Time increase factor (F)	1.7
Fluid Dynamic Efficiency class (FDEC)	E	Energy Efficiency Index per first cavity	84.7
Lighting Efficiency (LE)	13 lux/W	Measured air flow rate at best efficiency point (Qbep)	160 m ³ /h
Lighting Efficiency Class (LEC)	D	Measured air pressure at best efficiency point (Qbep)	145 Pa
Grease Filtering Efficiency (GFE)	56 %	Measured electric power input at best efficiency point (Wbep)	74 W
Grease Filtering Efficiency Class (GFEC)	E	Normal Power of the light system (WI)	6 W
Air flow at mininum speed (Qmin)	125 m ³ /h	Average illumination of the light on the cooking surface (Emiddle)	78 lux
Maximum extraction rate	224 m ³ /h	Sound power level at highest setting (Lwa)	54 dB(A)

Electrical Connection

Nominal power	81 W	Frequency (Hz)	50-60 Hz
Voltage	220-240 V	Power supply cable length	1500 mm



Not included accessories



KITFC62

Charcoal filter round (kit 2 pieces)

Symbols glossary



Filters: Model has filters to help remove grease from the steam emanating from the pans during cooking.



C: Product energy rating



Lights: All cooker hoods feature lights to illuminate the cooking area or add to the ambience of the kitchen.