

# KSG70HE

Product family	Hood
Hood Type	Integrated hood
Design	Fully integrated
Extraction	Extraction
Material	Painted material
EAN code	8017709275150
Hood width	73 cm



## Aesthetics

Aesthetic Colour	Universale Silver	Serigraphy colour Logo	Black Silk screen
------------------	-------------------	------------------------	-------------------

## Controls

Control setting	Buttons
-----------------	---------

## Technical Features

			
No. of lights	2	No. of filters	2
Light type	LED	Anti-grease filters	Aluminium
Light Power	3 W	Vent outlet	120 mm
Light color temperature scale (°K)	2700 °K	Minimum distance from GAS hob	650 mm
Free outlet maximum capacity	406 m <sup>3</sup> /h	Minimum distance from ELECTRIC hob	500 mm
Motor power	140 W	Non return valve	Yes

	Extraction rate IEC 61591 [m <sup>3</sup> /h]	Noise level IEC 60704-2-13 [dBA]
Speed 1	288	62
Speed 2	340	66

Speed 3	368	67
------------	-----	----

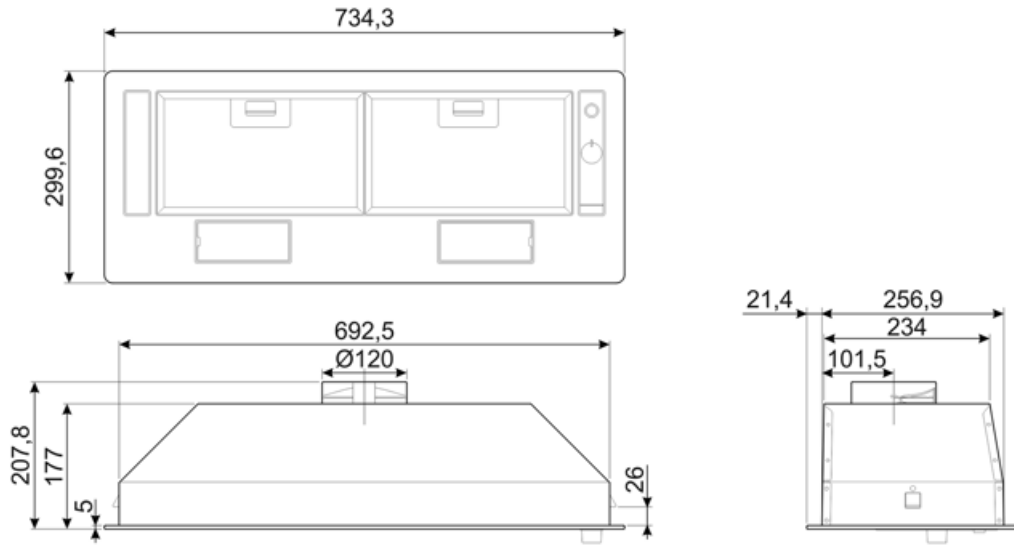
## Performance / Energy Label



Annual Efficiency Consumption (AEChood)	71 kWh/a	Airbourne acoustical A-weighted sound Power Emission at minimum speed (SPEmin)	62 dBA
Energy efficiency class (EEC)	D	Airborne acoustical A-weighted sound Power Emission at maximum speed (SPEmax)	67 dBA
Fluid Dynamic Efficiency (FDE)	11	Time increase factor (F)	1,6
Fluid Dynamic Efficiency class (FDEC)	E	Energy Efficiency Index	87,3
Lighting Efficiency (LE)	12,1 lux/W	Measured air flow rate at best efficiency point (Qbep)	206 m <sup>3</sup> /h
Lighting Efficiency Class (LEC)	D	Measured air pressure at best efficiency point (Pbep)	218 Pa
Grease Filtering Efficiency (GFE)	66 %	Measured electric power input at best efficiency point (Wbep)	113 W
Grease Filtering Efficiency Class (GFEC)	D	Nominal Power consumption of the light system (WL)	6 W
Air flow at minumum speed (Qmin)	290 m <sup>3</sup> /h	Average illumination of the light on the cooking surface (Emiddle)	73 lux
Air flow at maximum speed (Qmax)	368 m <sup>3</sup> /h	Sound power level at highest setting (Lwa)	67 dBA

## Electrical Connection

Plug	Not present	Frequency (Hz)	50-60 Hz
Electrical connection rating	146 W	Power supply cable length	1500 mm
Voltage	220-240 V		



---

## Not included accessories

---

KITFC62

Charcoal filter round (kit 2 pieces)



---

## Symbols glossary (TT)

---



Filters: Model has filters to help remove grease from the steam emanating from the pans during cooking.



Lights: All cooker hoods feature lights to illuminate the cooking area or add to the ambience of the kitchen.