

KT110BLA

| | |
|--------------------|----------------------|
| Product family | Hood |
| Hood Type | Decorative wall hood |
| Design | Chimney |
| Extraction | Extraction |
| Electronic control | Yes |
| Material | Painted material |
| Type of steel | Brushed |
| EAN code | 8017709217129 |
| Aesthetic | Victoria |
| Colour | Black |
| Finishing | Glossy |
| Logo | Applied |



Controls

| | | | |
|-----------------|--------------------|-----------|-------|
| Control setting | Electronic buttons | Led color | White |
|-----------------|--------------------|-----------|-------|

Program / Functions

| | |
|----------------------|---|
| No. of speeds | 3 |
| Intensive speed |  |
| Time-setting options |  |

Technical Features



| | | | |
|------------------------------------|----------|------------------------------------|-----------|
| No. of lights | 2 | No. of filters | 4 |
| Light type | LED | Anti-grease filters | Aluminium |
| Light Power | 2 W | Vent outlet | 150 mm |
| Light color temperature scale (°K) | 3000 °K | Minimum distance from GAS hob | 750 mm |
| Free outlet maximum capacity | 820 m³/h | Minimum distance from ELECTRIC hob | 650 mm |
| Motor power | 275 W | Non return valve | Yes |

| | Extraction rate IEC 61591 [m³/h] | Noise level IEC 60704-2-13 [dBA] |
|---------|----------------------------------|----------------------------------|
| Speed 1 | 334 | 50 |
| Speed 2 | 439 | 57 |

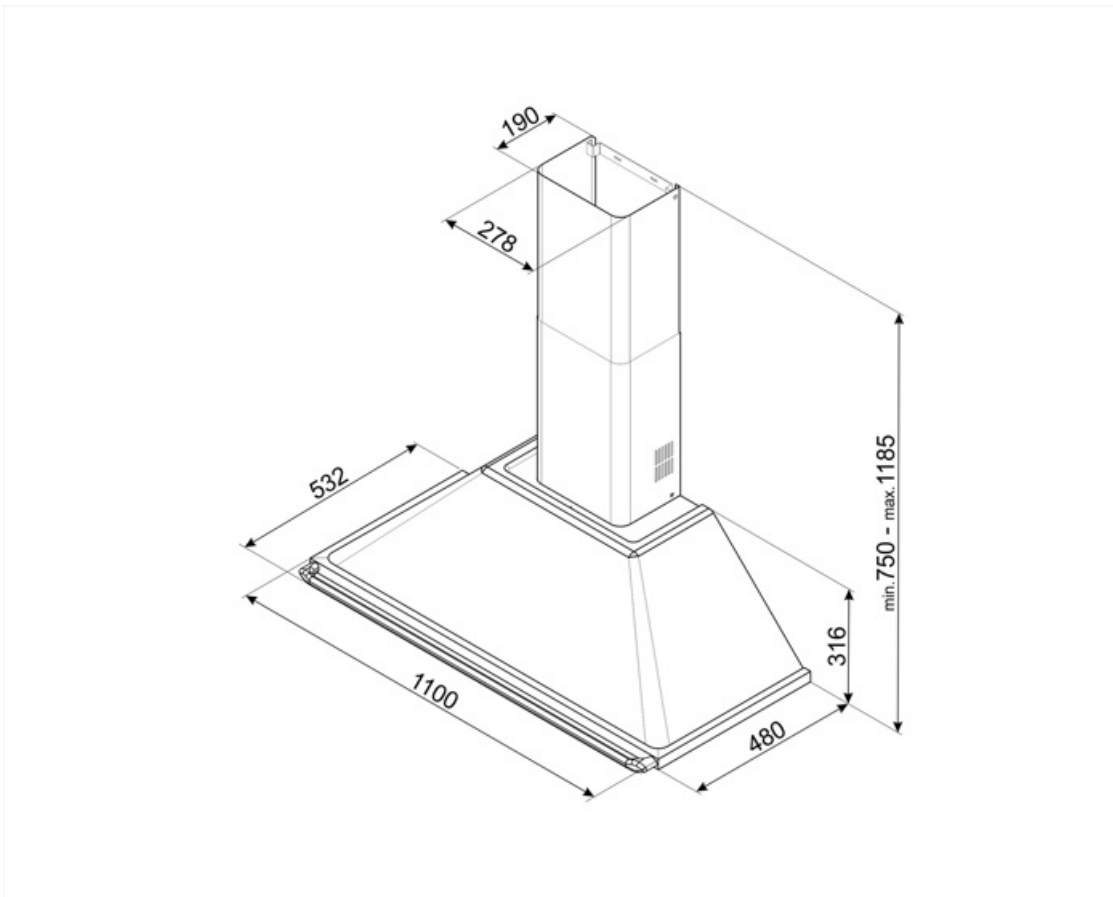
| | | |
|-----------------|-----|----|
| Speed 3 | 567 | 63 |
| Intensive speed | 788 | 70 |

Electrical Connection

| | | | |
|------------------------------|-----------|---------------------------|----------|
| Electrical connection rating | 279 W | Frequency (Hz) | 50-60 Hz |
| Voltage | 220-240 V | Power supply cable length | 1000 mm |

Also available

| | | | |
|-------------------------------|-------|-------------------|---------|
| Alternative colours available | Cream | Available colours | KT110PA |
|-------------------------------|-------|-------------------|---------|



Compatible Accessories

FLT6

Round Charcoal filters (kit 2 pieces)



KITALLFC

Universal Charcoal filter Stainless Steel AISI 304 The filter can be washed in dishwasher 50 °C (water and suitable detergent) and to dry it put in the oven 180°C 25 minutes

Symbols glossary



Filters: Model has filters to help remove grease from the steam emanating from the pans during cooking.



Lights: All cooker hoods feature lights to illuminate the cooking area or add to the ambience of the kitchen.



Switch off automatically: A special setting, to run after the end of cooking for a pre-set time and then switch off automatically.



Intensive/turbo setting: when extra fast extraction is required.