

# KT110BLE

Product family	Hood
Hood Type	Decorative wall hood
Design	Chimney
Extraction	Extraction
Material	Painted material
Type of steel	Brushed
EAN code	8017709211691
Hood width	110 cm



## Aesthetics

Aesthetic Colour	Victoria Black	Finishing Logo	Glossy Applied
------------------	----------------	----------------	----------------

## Controls

Control setting	Control knobs	Control knobs	Victoria
No. of controls	2	Controls colour	Steel effect

## Technical Features

			
No. of lights	2	No. of filters	4
Light type	LED	Anti-grease filters	Aluminium
Light Power	1 W	Vent outlet	150 mm
Light color temperature scale (°K)	3000 °K	Minimum distance from GAS hob	750 mm
Free outlet maximum capacity	820 m <sup>3</sup> /h	Minimum distance from ELECTRIC hob	650 mm
Motor power	275 W	Non return valve	Yes

	Extraction rate IEC 61591 [m <sup>3</sup> /h]	Noise level IEC 60704-2-13 [dBA]
Speed 1	326	49
Speed 2	439	57

Speed 3	554	63
Intensive speed	784	71

## Performance / Energy Label



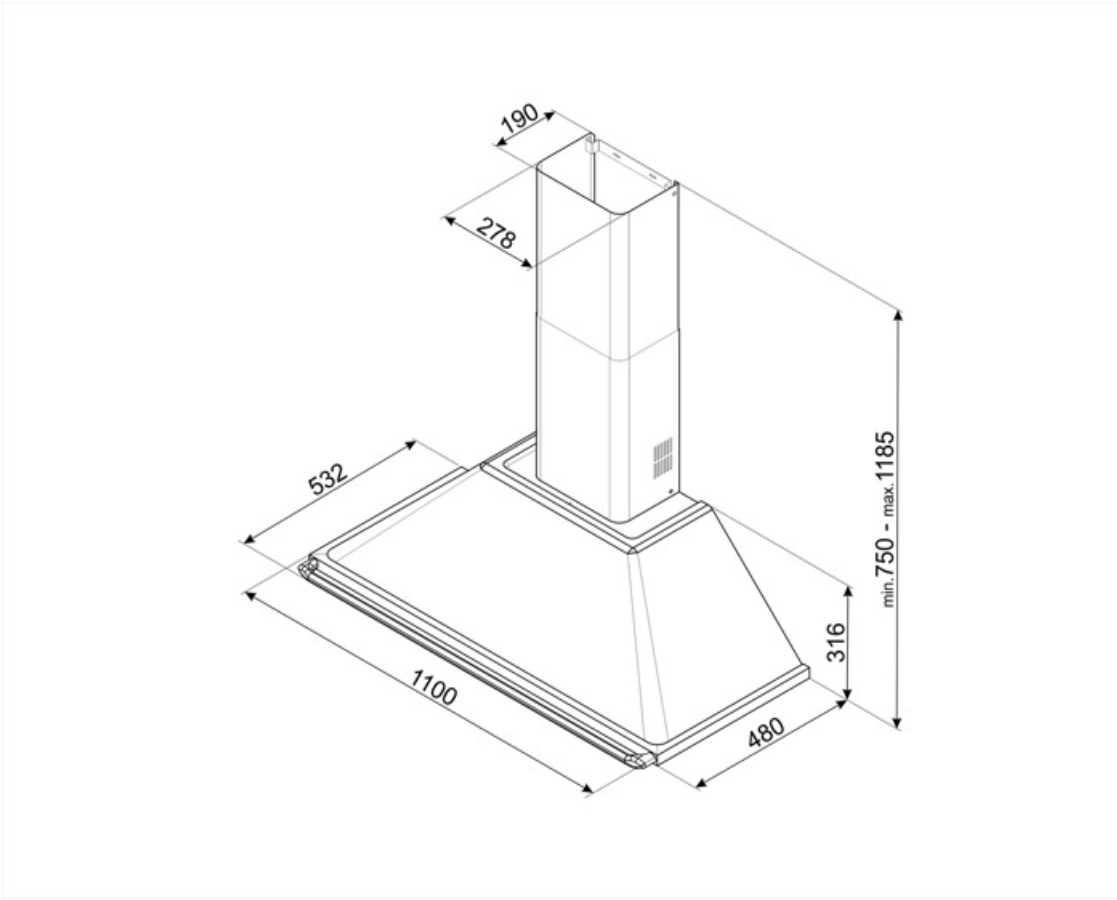
Annual Efficiency Consumption (AEC <sub>hood</sub> )	57 kWh/a	Airborne acoustical A-weighted sound Power Emission at minimum speed (SPE <sub>min</sub> )	49 dBA
Energy efficiency class (EEC)	A	Airborne acoustical A-weighted sound Power Emission at maximum speed (SPE <sub>max</sub> )	63 dBA
Fluid Dynamic Efficiency (FDE)	31,1	Airborne acoustical A-weighted sound power emission at boost speed (SPE <sub>boost</sub> )	71 dBA
Fluid Dynamic Efficiency class (FDEC)	A	Time increase factor (F)	1,00
Lighting Efficiency (LE)	83,2 lux/W	Energy Efficiency Index	52,2
Lighting Efficiency Class (LEC)	A	Measured air flow rate at best efficiency point (Q <sub>bep</sub> )	413 m <sup>3</sup> /h
Grease Filtering Efficiency (GFE)	69,2 %	Measured air pressure at best efficiency point (P <sub>bep</sub> )	456 Pa
Grease Filtering Efficiency Class (GFEC)	D	Measured electric power input at best efficiency point (W <sub>bep</sub> )	168 W
Air flow at minimum speed (Q <sub>min</sub> )	326 m <sup>3</sup> /h	Nominal Power consumption of the light system (WL)	2 W
Air flow at maximum speed (Q <sub>max</sub> )	554 m <sup>3</sup> /h	Average illumination of the light on the cooking surface (E <sub>middle</sub> )	183 lux
Air flow at boost speed (Q <sub>boost</sub> )	784 m <sup>3</sup> /h	Sound power level at highest setting (L <sub>wa</sub> )	63 dBA

## Electrical Connection

Plug	Not present	Frequency (Hz)	50-60 Hz
Electrical connection rating	278 W	Power supply cable length	1000 mm
Voltage	220-240 V		

## Also available

Alternative colours available	White, Stainless steel, Cream	Available colours	KT110BE-KTR110XE - KT110PE
-------------------------------	-------------------------------	-------------------	----------------------------



---

## Not included accessories

---

### FLT6

Round Charcoal filters (kit 2 pieces)



### KITALLFC

Universal Charcoal filter Stainless Steel AISI 304 The filter can be washed in dishwasher 50 °C (water and suitable detergent) and to dry it put in the oven 180°C 25 minutes

---

## Symbols glossary (TT)

---



**Filters:** Model has filters to help remove grease from the steam emanating from the pans during cooking.



**Lights:** All cooker hoods feature lights to illuminate the cooking area or add to the ambience of the kitchen.



**Intensive/turbo setting:** when extra fast extraction is required.