

KT110PA

Product family	Hood
Hood Type	Decorative wall hood
Design	Chimney
Extraction	Extraction
Electronic control	Yes
Material	Painted material
Type of steel	Brushed
EAN code	8017709217136
Hood width	110 cm
Aesthetic	Victoria
Colour	Cream
Finishing	Glossy
Logo	Applied



Controls

Control setting	Electronic buttons	Led color	White
-----------------	--------------------	-----------	-------

Program / Functions

No. of speeds	3
Intensive speed	
Time-setting options	

Technical Features

			
No. of lights	2	No. of filters	4
Light type	LED	Anti-grease filters	Aluminium
Light Power	2 W	Vent outlet	150 mm
Light color temperature scale (K)	3000 K	Minimum distance from GAS hob	750 mm
Free outlet maximum capacity	820 m ³ /h	Minimum distance from ELECTRIC hob	650 mm
Motor power	275 W	Non return valve	Yes

	Extraction rate IEC 61591 [m ³ /h]	Noise level IEC 60704-2-13 [dBA]
Speed 1	334	50
Speed 2	439	57

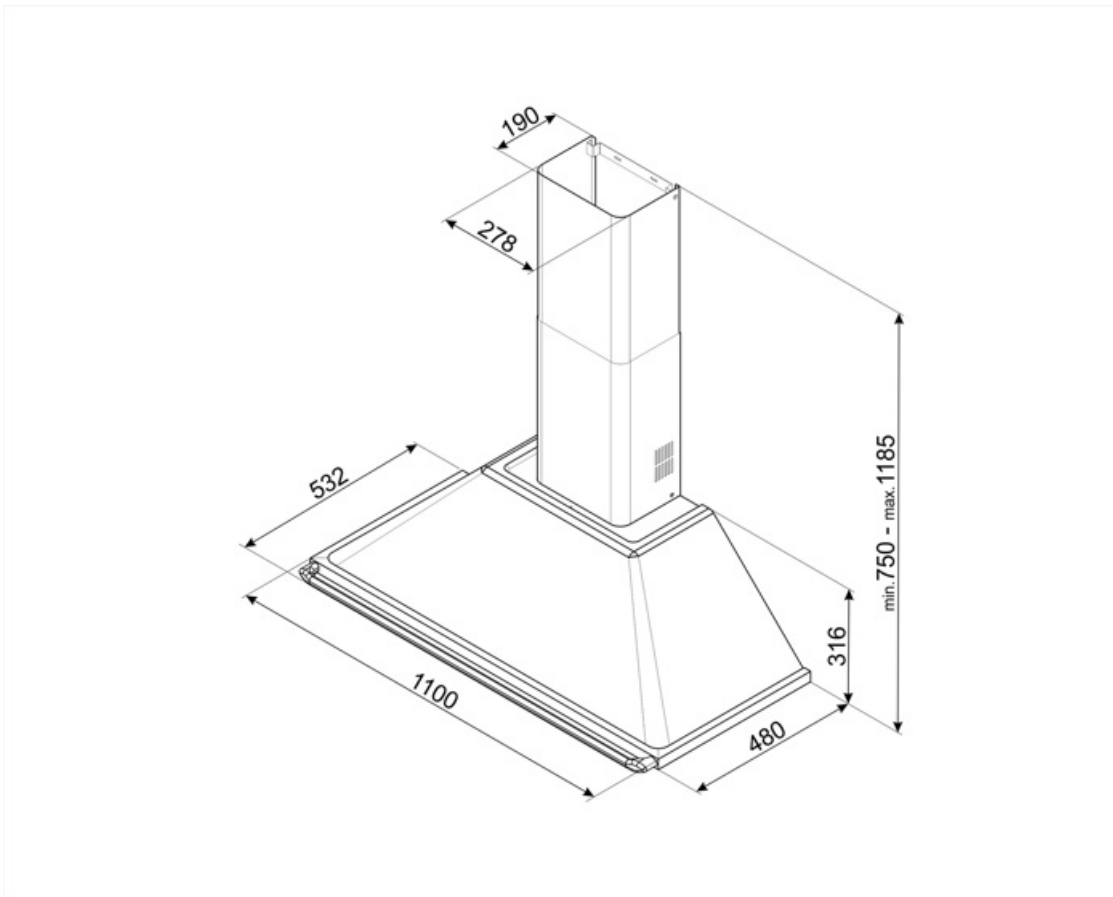
Speed 3	567	63
Intensive speed	788	70

Electrical Connection

Electrical connection rating	279 W	Frequency (Hz)	50-60 Hz
Voltage	220-240 V	Power supply cable length	1000 mm

Also available

Alternative colours available	Black	Available colours	KT110BLA
-------------------------------	-------	-------------------	----------



Compatible Accessories



FLT6

Round Charcoal filters (kit 2 pieces)

KITCMNKT110P



KITALLFC

Universal Charcoal filter Stainless Steel AISI 304 The filter can be washed in dishwasher 50 °C (water and suitable detergent) and to dry it put in the oven 180°C 25 minutes

Symbols glossary



Filters: Model has filters to help remove grease from the steam emanating from the pans during cooking.



Switch off automatically: A special setting, to run after the end of cooking for a pre-set time and then switch off automatically.



Lights: All cooker hoods feature lights to illuminate the cooking area or add to the ambience of the kitchen.



Intensive/turbo setting: when extra fast extraction is required.