

KT110PE

| | |
|----------------|---------------------------------------|
| Product family | Hood |
| Hood Type | Chimney Cooker Hoods |
| Design | Chimney |
| Extraction | Ducted out or re-circulation possible |
| Material | Painted material |
| Type of steel | Brushed |
| EAN code | 8017709211707 |
| Aesthetics | Victoria |
| Colour | Cream |
| Finishing | Gloss |
| Logo | Applied |



Controls

| | | | |
|-----------------|---------------|-----------------|--------------|
| Control setting | Control knobs | Control knobs | Victoria |
| No. of controls | 2 | Controls colour | Steel effect |

Program / Functions

| | |
|-----------------|---|
| No. of speeds | 3 |
| Intensive speed |  |

Technical Features

| | | | |
|--|---|------------------------------------|-----------|
|  |  | | |
| No. of lights | 2 | No. of filters | 4 |
| Light type | LED | Anti-grease filters | Aluminium |
| Light power | 1 W | Vent outlet | 150 mm |
| Light colour | 3000 °K | Minimum distance from GAS hob | 750 mm |
| Free outlet maximum capacity | 820 m ³ /h | Minimum distance from ELECTRIC hob | 650 mm |
| Motor power | 275 W | Non return valve | Yes |

| | Extraction rate IEC 61591 [m ³ /h] | Noise level IEC 60704-2-13 [dBA] |
|---------|---|----------------------------------|
| Speed 1 | 326 | 49 |
| Speed 2 | 439 | 57 |

| | | |
|-----------------|-----|----|
| Speed 3 | 554 | 63 |
| Intensive speed | 784 | 71 |

Performance / Energy Label



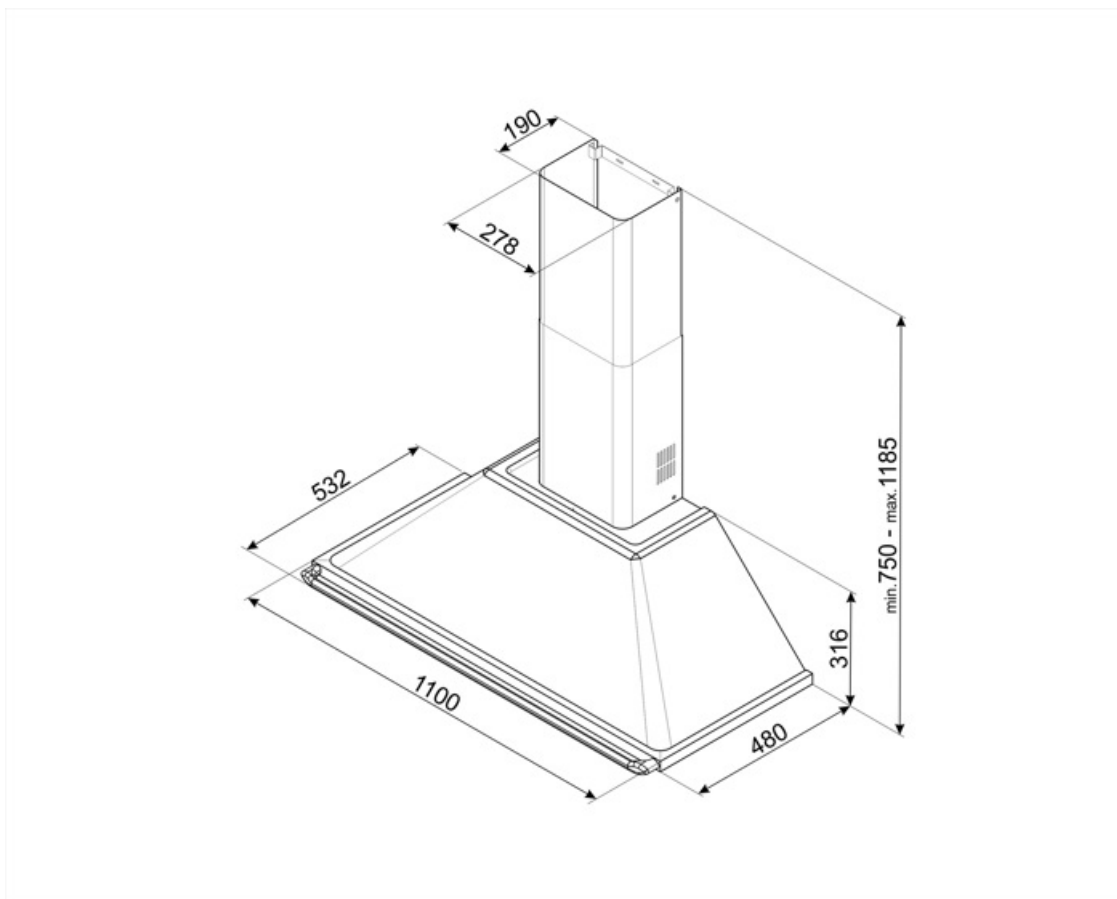
| | | | |
|--|-----------------------|--|-----------------------|
| Annual Efficiency Consumption (AEChood) | 57 kWh/year | Airbourne acoustical A-weighted sound Power Emission at minimum speed (SPEmin) | 49 dBA |
| Energy efficiency class (EEC) | A | Airborne acoustical A-weighted sound Power Emission at maximum speed (SPEmax) | 63 dBA |
| Fluid Dynamic Efficiency (FDE) | 31,1 | Airbourne acoustical A-weighted sound power emission at boost speed (SPEboost) | 71 dBA |
| Fluid Dynamic Efficiency class (FDEC) | A | Energy Efficiency Index per first cavity | 52,2 |
| Lighting Efficiency (LE) | 83,2 lux/W | Measured air flow rate at best efficiency point (Qbep) | 413 m ³ /h |
| Lighting Efficiency Class (LEC) | A | Measured air pressure at best efficiency point (Qbep) | 456 Pa |
| Grease Filtering Efficiency (GFE) | 69,2 % | Measured electric power input at best efficiency point (Wbep) | 168 W |
| Grease Filtering Efficiency Class (GFEC) | D | Normal Power of the light system (WI) | 2 W |
| Air flow at minumum speed (Qmin) | 326 m ³ /h | Average illumination of the light on the cooking surface (Emiddle) | 183 lux |
| Maximum extraction rate | 554 m ³ /h | Sound power level at highest setting (Lwa) | 63 dBA |
| Intensive extraction rate | 784 m ³ /h | | |

Electrical Connection

| | | | |
|---------------|-----------|---------------------------|----------|
| Nominal power | 278 W | Frequency (Hz) | 50-60 Hz |
| Voltage | 220-240 V | Power supply cable length | 1000 mm |

Also available

| | | | |
|-------------------------------|-------------------------------|-------------------|-----------------------------|
| Alternative colours available | White, Black, Stainless steel | Available colours | KT110BE-KT110BLE - KTR110XE |
|-------------------------------|-------------------------------|-------------------|-----------------------------|



Compatible Accessories

FLT6

Round Charcoal filters (kit 2 pieces)



KITALLFC

Universal Charcoal filter Stainless Steel AISI 304 The filter can be washed in dishwasher 50 °C (water and suitable detergent) and to dry it put in the oven 180°C 25 minutes

Symbols glossary



Filters: Model has filters to help remove grease from the steam emanating from the pans during cooking.



Lights: All cooker hoods feature lights to illuminate the cooking area or add to the ambience of the kitchen.



A: Product drying performance, measured from A+++ to D / G depending on the product family



Intensive/turbo setting: when extra fast extraction is required.