

KT110PE

Product family	Hood
Hood Type	Decorative wall hood
Design	Chimney
Extraction	Extraction
Material	Painted material
Type of steel	Brushed
EAN code	8017709211707
Aesthetic	Victoria
Colour	Cream
Finishing	Glossy
Logo	Applied



Controls

Control setting	Control knobs	Control knobs	Victoria
No. of controls	2	Controls colour	Steel effect

Programs / Functions

No. of speeds	3
Intensive speed	

Technical Features

			
No. of lights	2	No. of filters	4
Light type	LED	Anti-grease filters	Aluminium
Light Power	1 W	Vent outlet	150 mm
Light color temperature scale (°K)	3000 °K	Minimum distance from GAS hob	750 mm
Free outlet maximum capacity	820 m ³ /h	Minimum distance from ELECTRIC hob	650 mm
Motor power	275 W	Non return valve	Yes

	Extraction rate IEC 61591 [m ³ /h]	Noise level IEC 60704-2-13 [dBA]
Speed 1	326	49
Speed 2	439	57

Speed 3	554	63
Intensive speed	784	71

Performance / Energy Label



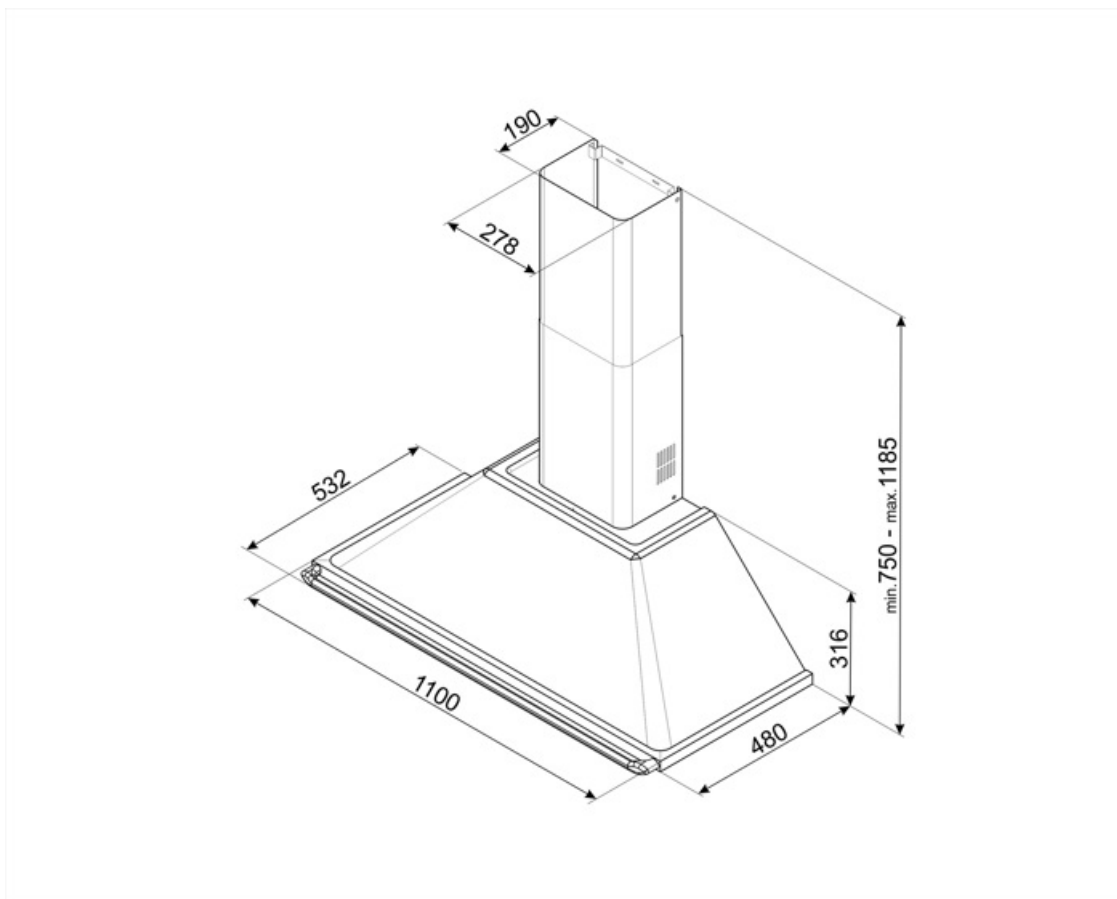
Annual Efficiency Consumption (AEChood)	57 kWh/a	Airbourne acoustical A-weighted sound Power Emission at minimum speed (SPEmin)	49 dBA
Energy efficiency class (EEC)	A	Airborne acoustical A-weighted sound Power Emission at maximum speed (SPEmax)	63 dBA
Fluid Dynamic Efficiency (FDE)	31,1	Airbourne acoustical A-weighted sound power emission at boost speed (SPEboost)	71 dBA
Fluid Dynamic Efficiency class (FDEC)	A	Energy Efficiency Index	52,2
Lighting Efficiency (LE)	83,2 lux/W	Measured air flow rate at best efficiency point (Qbep)	413 m ³ /h
Lighting Efficiency Class (LEC)	A	Measured air pressure at best efficiency point (Pbep)	456 Pa
Grease Filtering Efficiency (GFE)	69,2 %	Measured electric power input at best efficiency point (Wbep)	168 W
Grease Filtering Efficiency Class (GFEC)	D	Nominal Power consumption of the light system (WL)	2 W
Air flow at minumum speed (Qmin)	326 m ³ /h	Average illumination of the light on the cooking surface (Emiddle)	183 lux
Air flow at maximum speed (Qmax)	554 m ³ /h	Sound power level at highest setting (Lwa)	63 dBA
Air flow at boost speed (Qboost)	784 m ³ /h		

Electrical Connection

Plug	Not present	Frequency (Hz)	50-60 Hz
Electrical connection rating	278 W	Power supply cable length	1000 mm
Voltage	220-240 V		

Also available

Alternative colours available	White, Black, Stainless steel	Available colours	KT110BE-KT110BLE - KTR110XE
--------------------------------------	-------------------------------	--------------------------	-----------------------------



Compatible Accessories



FLT6

Round Charcoal filters (kit 2 pieces)



KITCMNKPU

Chimney extension size 227.5 * 190 *
800 mm cream color, allow to reach
1475 mm of total high of the hood



KITALLFC

Universal Charcoal filter Stainless
Steel AISI 304 The filter can be
washed in dishwasher 50 °C (water
and suitable detergent) and to dry it
put in the oven 180°C 25 minutes

Symbols glossary



Filters: Model has filters to help remove grease from the steam emanating from the pans during cooking.



Lights: All cooker hoods feature lights to illuminate the cooking area or add to the ambience of the kitchen.



Intensive/turbo setting: when extra fast extraction is required.