

# KT90PE

Product family	Hood
Hood Type	Decorative wall hood
Design	Chimney
Extraction	Extraction
Material	Painted material
Type of steel	Brushed
EAN code	8017709211677
Hood width	90 cm



## Aesthetics

Aesthetic Colour	Victoria Cream	Finishing Logo	Glossy Applied
------------------	----------------	----------------	----------------

## Controls

Control setting	Control knobs	Control knobs	Victoria
No. of controls	2	Controls colour	Steel effect

## Technical Features

			
No. of lights	2	No. of filters	3
Light type	LED	Anti-grease filters	Aluminium
Light Power	1 W	Vent outlet	150 mm
Light color temperature scale (°K)	3000 °K	Minimum distance from GAS hob	750 mm
Free outlet maximum capacity	820 m <sup>3</sup> /h	Minimum distance from ELECTRIC hob	650 mm
Motor power	275 W	Non return valve	Yes

	Extraction rate IEC 61591 [m <sup>3</sup> /h]	Noise level IEC 60704-2-13 [dBA]
Speed 1	334	49
Speed 2	439	57

Speed 3	567	61
Intensive speed	788	69

## Performance / Energy Label



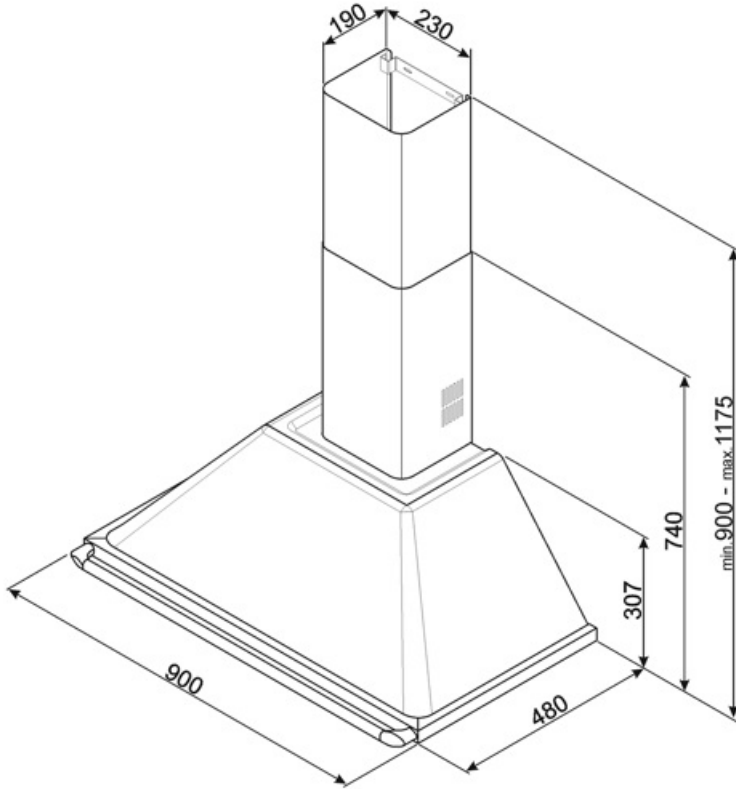
Annual Efficiency Consumption (AEC <sub>hood</sub> )	59 kWh/a	Airbourne acoustical A-weighted sound Power Emission at minimum speed (SPE <sub>min</sub> )	49 dBA
Energy efficiency class (EEC)	A	Airborne acoustical A-weighted sound Power Emission at maximum speed (SPE <sub>max</sub> )	61 dBA
Fluid Dynamic Efficiency (FDE)	30	Airbourne acoustical A-weighted sound power emission at boost speed (SPE <sub>boost</sub> )	69 dBA
Fluid Dynamic Efficiency class (FDEC)	A	Time increase factor (F)	1,00
Lighting Efficiency (LE)	102,3 lux/W	Energy Efficiency Index	52,4
Lighting Efficiency Class (LEC)	A	Measured air flow rate at best efficiency point (Q <sub>bep</sub> )	438 m <sup>3</sup> /h
Grease Filtering Efficiency (GFE)	76,6 %	Measured air pressure at best efficiency point (P <sub>bep</sub> )	434 Pa
Grease Filtering Efficiency Class (GFEC)	C	Measured electric power input at best efficiency point (W <sub>bep</sub> )	176 W
Air flow at mininum speed (Q <sub>min</sub> )	334 m <sup>3</sup> /h	Nominal Power consumption of the light system (WL)	2 W
Air flow at maximum speed (Q <sub>max</sub> )	567 m <sup>3</sup> /h	Average illumination of the light on the cooking surface (E <sub>middle</sub> )	225 lux
Air flow at boost speed (Q <sub>boost</sub> )	788 m <sup>3</sup> /h	Sound power level at highest setting (L <sub>wa</sub> )	61 dBA

## Electrical Connection

Plug	Not present	Frequency (Hz)	50-60 Hz
Electrical connection rating	278 W	Power supply cable length	1000 mm
Voltage	220-240 V		

## Also available

Alternative colours available	White, Black, Stainless steel	Available colours	KT90BE - KT90BLE - KTR90XE
-------------------------------	-------------------------------	-------------------	----------------------------



---

## Not included accessories

---

### FLT6

Round Charcoal filters (kit 2 pieces)



### KITALLFC

Universal Charcoal filter Stainless Steel AISI 304 The filter can be washed in dishwasher 50 °C (water and suitable detergent) and to dry it put in the oven 180°C 25 minutes



### KITCMNKPU

Chimney extension size 227.5 \* 190 \* 800 mm cream color, allow to reach 1475 mm of total high of the hood



---

## Symbols glossary (TT)

---



Lights: All cooker hoods feature lights to illuminate the cooking area or add to the ambience of the kitchen.



Filters: Model has filters to help remove grease from the steam emanating from the pans during cooking.



Intensive/turbo setting: when extra fast extraction is required.