

# KTR110XE

Product family	Hood
Hood Type	Chimney Cooker Hoods
Design	Chimney
Extraction	Ducted out or re-circulation possible
Material	Stainless steel
Type of steel	Brushed
EAN code	8017709211714
Hood width	110 cm



## Aesthetics

Aesthetics	Victoria	Finishing	Brushed
Colour	Stainless steel	Logo	Applied

## Controls

Control setting	Control knobs	Control knobs	Victoria
No. of controls	2	Controls colour	Steel effect

## Technical Features

			
No. of lights	2	No. of filters	4
Light type	LED	Anti-grease filters	Aluminium
Light power	1 W	Vent outlet	150 mm
Light colour	3000 °K	Minimum distance from GAS hob	750 mm
Free outlet maximum capacity	820 m <sup>3</sup> /h	Minimum distance from ELECTRIC hob	650 mm
Motor power	275 W	Non return valve	Yes

	Extraction rate IEC 61591 [m <sup>3</sup> /h]	Noise level IEC 60704-2-13 [dBA]
Speed 1	326	49
Speed 2	439	57

Speed 3	554	63
Intensive speed	784	71

## Performance / Energy Label



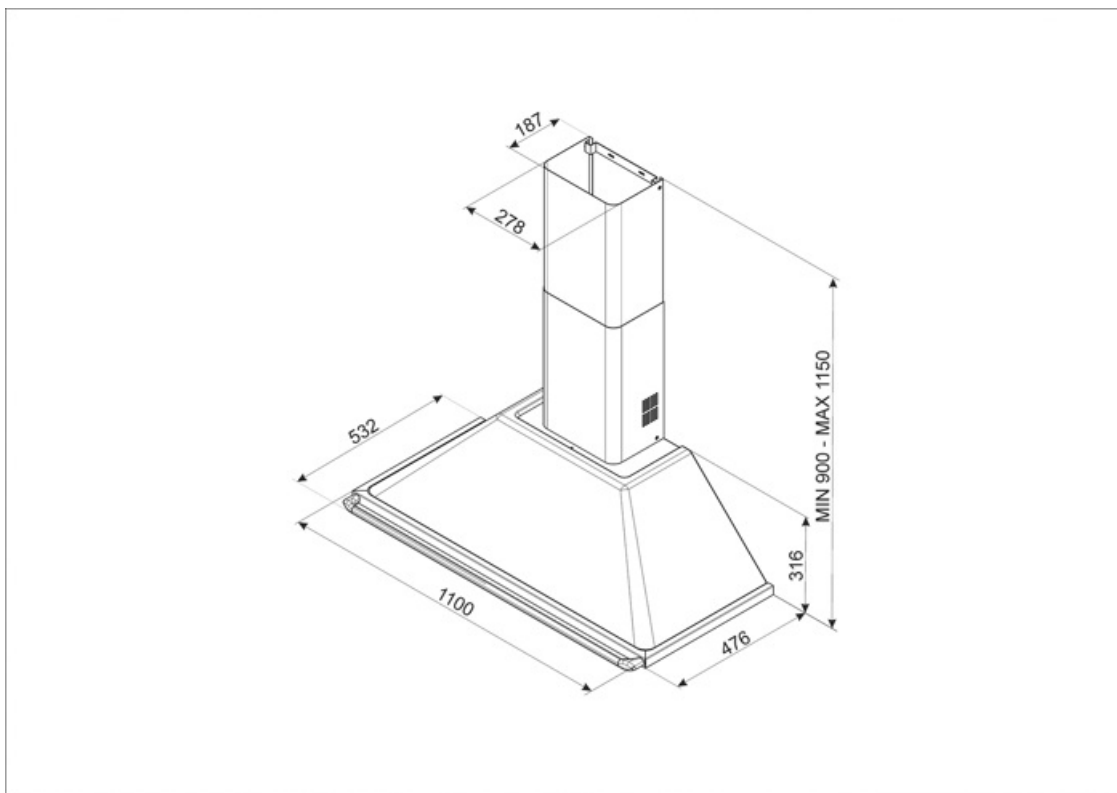
Annual Efficiency Consumption (AEChood)	57 kWh/year	Airbourne acoustical A-weighted sound Power Emission at minimum speed (SPEmin)	49 dBA
Energy efficiency class (EEC)	A	Airborne acoustical A-weighted sound Power Emission at maximum speed (SPEmax)	63 dBA
Fluid Dynamic Efficiency (FDE)	31,1	Airbourne acoustical A-weighted sound power emission at boost speed (SPEboost)	71 dBA
Fluid Dynamic Efficiency class (FDEC)	A	Time increase factor (F)	1,00
Lighting Efficiency (LE)	83,2 lux/W	Energy Efficiency Index per first cavity	52,2
Lighting Efficiency Class (LEC)	A	Measured air flow rate at best efficiency point (Qbep)	413 m <sup>3</sup> /h
Grease Filtering Efficiency (GFE)	69,2 %	Measured air pressure at best efficiency point (Qbep)	456 Pa
Grease Filtering Efficiency Class (GFEC)	D	Measured electric power input at best efficiency point (Wbep)	168 W
Air flow at mininum speed (Qmin)	326 m <sup>3</sup> /h	Normal Power of the light system (WI)	2 W
Maximum extraction rate	554 m <sup>3</sup> /h	Average illumination of the light on the cooking surface (Emiddle)	183 lux
Intensive extraction rate	784 m <sup>3</sup> /h	Sound power level at highest setting (Lwa)	63 dBA

## Electrical Connection

Nominal power	278 W	Frequency (Hz)	50-60 Hz
Voltage	220-240 V	Power supply cable length	1500 mm

## Also available

Alternative colours available	White, Black, Cream	Available colours	KT110BE-KT110BLE - KT110PE
-------------------------------	---------------------	-------------------	----------------------------



---

## Not included accessories

---

### FLT6

Round Charcoal filters (kit 2 pieces)



### KITALLFC

Universal Charcoal filter Stainless Steel AISI 304 The filter can be washed in dishwasher 50 °C (water and suitable detergent) and to dry it put in the oven 180°C 25 minutes

---

## Symbols glossary

---



**Filters:** Model has filters to help remove grease from the steam emanating from the pans during cooking.



**Lights:** All cooker hoods feature lights to illuminate the cooking area or add to the ambience of the kitchen.



**A:** Product drying performance, measured from A+++ to D / G depending on the product family



**Intensive/turbo setting:** when extra fast extraction is required.