

# KV90XE

Product family	Hood
Hood Type	Chimney Cooker Hoods
Design	Curved
Extraction	Ducted out or re-circulation possible
Electronic control	Yes
Material	Glass
Type of steel	Brushed
EAN code	8017709206116
Aesthetics	Universal
Colour	Stainless steel
Finishing	Glass
Glass Type	Clear
Logo	Embossed



## Controls

Control setting	Electronic buttons	Led colour	White
-----------------	--------------------	------------	-------

## Program / Functions

No. of speeds	3
Intensive speed	
Time-setting options	

## Technical Features



No. of lights	2	No. of filters	2
Light type	LED	Anti-grease filters	Aluminium
Light power	1 W	Filter replacement indicator	Yes
Light colour temperature scale (°K)	4000 °K	Vent outlet	150 mm
Free outlet maximum capacity	780 m³/h	Non return valve	Yes
Motor power	278 W		

	Extraction rate IEC 61591 [m³/h]	Noise level IEC 60704-2-13 [dBA]
Speed 1	313	52
Speed 2	419	59

Speed 3	535	64
Intensive speed	764	71

## Accessories Included

Tube reduction Yes

## Performance / Energy Label

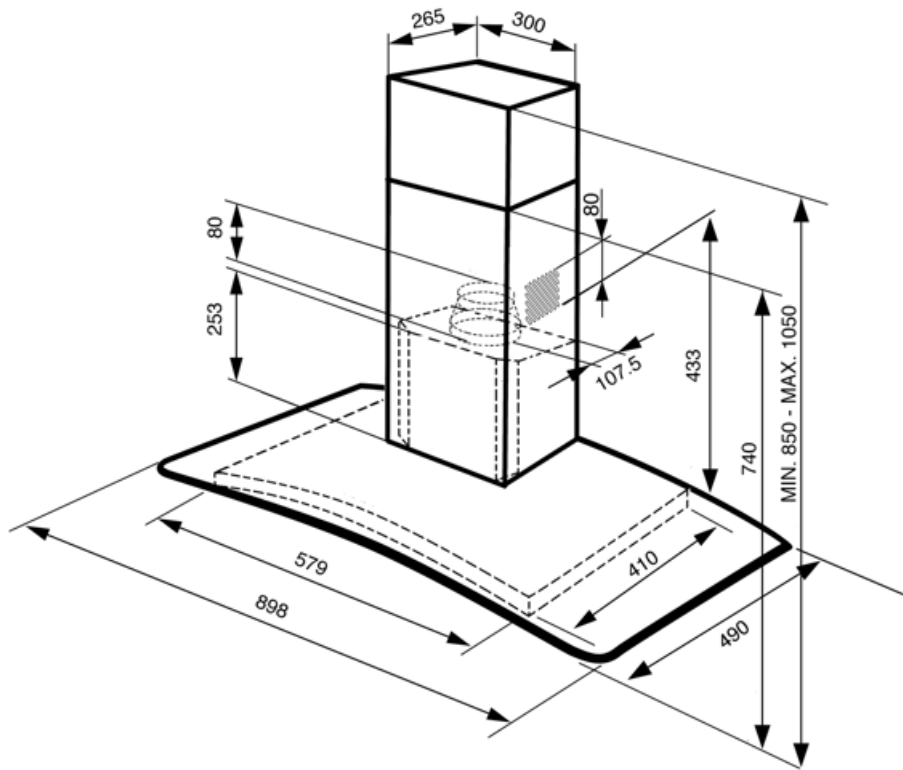


Annual Efficiency Consumption (AEChood)	65 KWh/year	Airbourne acoustical A-weighted sound Power Emission at minimum speed (SPEmin)	52 dBA
Energy efficiency class (EEC)	B	Airborne acoustical A-weighted sound Power Emission at maximum speed (SPEmax)	64 dBA
Fluid Dynamic Efficiency (FDE)	27,5	Airbourne acoustical A-weighted sound power emission at boost speed (SPEboost)	71 dBA
Fluid Dynamic Efficiency class (FDEC)	B	Power Consumption in Off mode (Po)	0,49 W
Lighting Efficiency (LE)	118,6 lux/W	Time increase factor (F)	1,00
Lighting Efficiency Class (LEC)	A	Measured air flow rate at best efficiency point (Qbep)	406 m³/h
Grease Filtering Efficiency (GFE)	80,2 %	Measured air pressure at best efficiency point (Qbep)	426 Pa
Grease Filtering Efficiency Class (GFEC)	C	Measured electric power input at best efficiency point (Wbep)	174 W
Air flow at mininum speed (Qmin)	313 m³/h	Normal Power of the light system (WI)	2 W
Maximum extraction rate	535 m³/h	Average illumination of the light on the cooking surface (Emiddle)	261 lux
Intensive extraction rate	764 m³/h	Sound power level at highest setting (Lwa)	64 dBA

## Electrical Connection

Nominal power	278 W	Frequency (Hz)	50-60 Hz
Voltage	220-240 V	Power supply cable length	1000 mm

## Optional accessories



---

## Compatible Accessories

---



### **KITALLFC**

Universal Charcoal filter Stainless Steel AISI 304 The filter can be washed in dishwasher 50 °C (water and suitable detergent) and to dry it put in the oven 180°C 25 minutes



### **KITFC161**

Charcoal filters Kit 2 pieces

---

## Symbols glossary

---



**Filters:** Model has filters to help remove grease from the steam emanating from the pans during cooking.



**Lights:** All cooker hoods feature lights to illuminate the cooking area or add to the ambience of the kitchen.



**Switch off automatically:** A special setting, to run after the end of cooking for a pre-set time and then switch off automatically.



**Warning light(s):** to advise when filters need changing.



**Intensive/turbo setting:** when extra fast extraction is required.