

# LD150S-2

Sink material	Stainless steel
Type	Welded sink
No. of bowls	1
Drainer	Left
EAN code	8017709208271



## Aesthetics



Aesthetic	Universal	Logo	Embossed
Serie	Mira	Alternative colours available	No
Colour	Stainless steel	Half bowl cup drainer	No
Acabamento	Escovado	Tap hole / precut tap hole	1 Tap hole
Building in type	Ultra-low profile		

	Bowl type RH	Bowl thickness (mm)	Bowl dimensions, WxDxH (mm)	Bowl depth (mm)	Radius corner right bowl (mm)	Overflow	Strainer position	Strainer dimension
RH Bowl	Minimum radius	1	500 x 400 x 200	200	15	Yes, flush fitted	Wall position	3.5"

## Technical Features

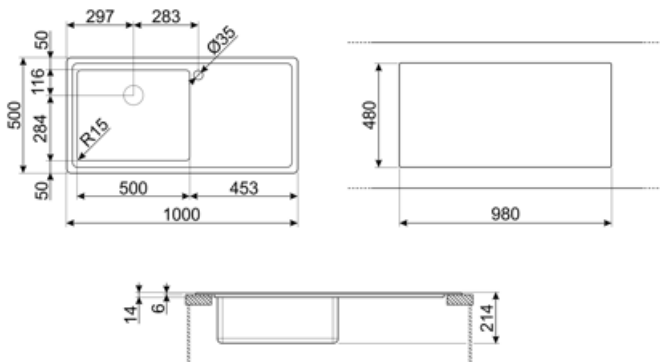


Frame thickness	0,7 mm	Diâmetro do furo da torneira	35 mm
Frame depth (mm)	15	Popup command	No
Dimensions of the product (mm)	200x1000x500 mm	Drainer inclination	2 °
Cutout dimension topmount (mm)	980 x 480 mm	Gasket type	Sealing paste
Cutout radius	5 mm	Pre-assembled gasket	No
Height from kitchen top	6 mm	No. of clips	10
Base unit size	80 cm	Type of clips	Standard

Tap hole 1

## Accessories Included

Accessories for installation	Strainer, Siphon with dishwasher outlet connection, Fixing clips, Gasket	Basket	No
		Wooden board	No
		White board	No
Colander	No		
Glass board	No		



---

## Compatible Accessories

---



### KITFD050

Eliminação de resíduos 0,5 CV Motor:  
1/2 cv Serve para todas as pias com  
saída de resíduos de 3 1/2"



### KITFD100

Eliminação de resíduos 1 CV Motor: 1 cv  
Serve para todas as pias com saída de  
resíduos de 3 1/2"



### KITFD075

Eliminação de resíduos 0,75 CV Motor:  
3/4 CV Adapta-se a todas as pias  
com saída de resíduos de 3 1/2"



### STABMIX

estabilizador para misturadores

---

## Symbols glossary

---



Largura do armário necessária para a instalação da pia



Profundidade da pia - dependendo do modelo, a profundidade pode ser de 13 a 24,5



Perfil ultra baixo: Instalação de produto com borda plana - altura de 1 mm.

---

## Benefit (TT)

---

### **One bowl**

A single bowl for greater adaptability, capacity and space optimisation

### **Drainer**

The drawer allows dishes, cutlery and kitchen utensils to be placed directly on the sink after washing: excess water can drain into the sink, allowing for natural drying

### **Tap hole**

Possibility of having the tap hole for direct installation of the tap on the sink, for a larger and neater surface area