

# LD861D-2

Sink material	Stainless steel
Type	Welded sink
No. of bowls	1
Drainer	Right
EAN code	8017709200503



## Aesthetics



Aesthetic	Universal	Logo	Embossed
Serie	Mira	Alternative colours available	No
Colour	Stainless steel	Half bowl cup drainer	No
Acabamento	Escovado	Tap hole / precut tap hole	1 Tap hole
Building in type	Ultra-low profile		

	Bowl type LH	Bowl thickness LH (mm)	Bowl dimensions LH, WxDxA (mm)	LH Bowl depth (mm)	Radius corner left bowl	Overflow LH bowl	Strainer position LH bowl	Strainer dimension LH bowl
LH Bowl	Minimum radius	1	340 x 400 x 200	200	15	Yes, flush fitted	Wall position	3.5"

## Technical Features

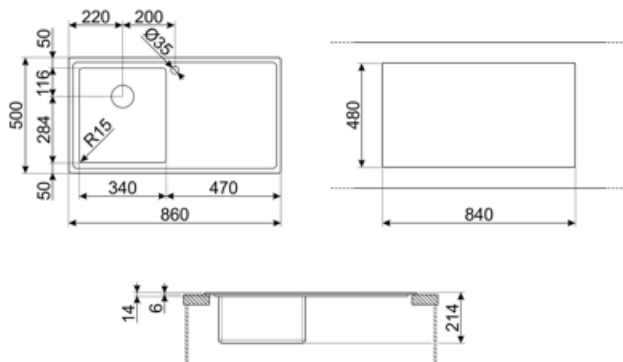


Frame thickness	0,7 mm	Diâmetro do furo da torneira	35 mm
Frame depth (mm)	14	Popup command	No
Dimensions of the product (mm)	214x860x500 mm	Drainer inclination	2 °
Cutout dimension topmount (mm)	840 x 480 mm	Gasket type	Sealing paste
Cutout radius	5 mm	Pre-assembled gasket	No
Height from kitchen top	6 mm	No. of clips	8
Base unit size	60 cm	Type of clips	Standard

Tap hole 1

## Accessories Included

Accessories for installation	Strainer, Siphon with dishwasher outlet connection, Fixing clips, Gasket	Basket	No
		Wooden board	No
		White board	No
Colander	No		
Glass board	No		



---

## Compatible Accessories

---



### DB34

Cesto de fio inox para acoplar às pias com dimensões de 340\*400 mm



### KITFD075

Eliminação de resíduos 0,75 CV Motor: 3/4 CV Adapta-se a todas as pias com saída de resíduos de 3 1/2"



### STABMIX

estabilizador para misturadores



### KITFD050

Eliminação de resíduos 0,5 CV Motor: 1/2 cv Serve para todas as pias com saída de resíduos de 3 1/2"




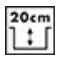

### KITFD100

Eliminação de resíduos 1 CV Motor: 1 cv Serve para todas as pias com saída de resíduos de 3 1/2"

---

## Symbols glossary

---

- |  |   |   |  |
|--|---|---|--|
|  | Largura do armário necessária para a instalação da pia                      |  | Profundidade da pia - dependendo do modelo, a profundidade pode ser de 13 a 24,5 |
|  | Perfil ultra baixo: Instalação de produto com borda plana - altura de 1 mm. |   |  |

---

## Benefit (TT)

---

### **One bowl**

A single bowl for greater adaptability, capacity and space optimisation

### **Drainer**

The drawer allows dishes, cutlery and kitchen utensils to be placed directly on the sink after washing: excess water can drain into the sink, allowing for natural drying

### **Tap hole**

Possibility of having the tap hole for direct installation of the tap on the sink, for a larger and neater surface area