

LD861D

Sink material	Stainless steel
Type	Welded sink
No. of bowls	1
Drainer	Right
EAN code	8017709148454



Aesthetics



Serie	Mira	Finishing	Brushed
Aesthetic	Universale	Building in type	Ultra-low profile
Colour	Stainless steel	Logo	Embossed

	Bowl type LH	Bowl thickness LH (mm)	Bowl dimensions LH, WxDxA (mm)	LH Bowl depth (mm)	Radius corner left bowl	Overflow LH bowl	Strainer position LH bowl	Strainer dimension LH bowl
LH Bowl	Minimum radius	1	340 x 400 x 200	200	15	Yes, flush fitted	Wall position	3.5"

Technical Features

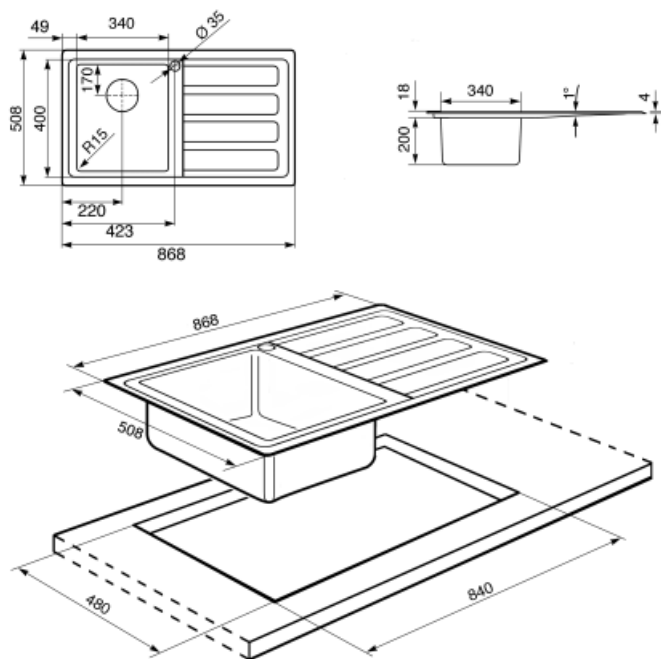


Frame thickness	0,7 mm	Base unit size	60 cm
Frame depth (mm)	17	Tap hole	1
Dimensions of the product (mm)	220x870x510 mm	Drainer inclination	1 °
Cutout dimension topmount (mm)	840 x 480 mm	Gasket type	Sealing paste
Undermount cutout radius	10 mm	No. of clips	10
Height from kitchen top	6 mm	Type of clips	Standard

Accessories Included

**Accessories for
installation**

Strainer, Savespace siphon
with dishwasher outlet
connection, Fixing clips,
Gasket



Not included accessories



KITFD050

Waste disposal 0,5 HP, Motor: 1/2 horsepower, Fits all sinks with 3 1/2" waste outlet



KITFD100

Waste disposal 1 HP, Motor: 1/2 horsepower, Fits all sinks with 3 1/2" waste outlet



STABMIX

Tap stabiliser



KITFD075


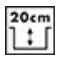

Waste disposal 0,75 HP, Motor: 1/2 horsepower, Fits all sinks with 3 1/2" waste outlet



KITFD050UK

Waste disposal 0,5 HP, Motor: 1/2 horsepower, Fits all sinks with 3 1/2" waste outlet, UK

Symbols glossary (TT)

- | | | | |
|--|---|---|---|
|  | Cupboard width required for sink installation |  | Sink depth - depending on the model, the depth can be from 13 to 24,5 |
|  | Ultra-low profile: Installation of product with flat edge - height of 1 mm. | | |