

# LDR102-2

Sink material	Stainless steel
Type	Welded sink
No. of bowls	1 + 3/4
Drainer	Reversible
EAN code	8017709304591



## Aesthetics



Aesthetic	Universale	Building in type	Ultra-low profile
Colour	Stainless steel	Logo	Embossed
Finishing	Scotch Brite	Tap hole / precut tap hole	2 Tapholes
Series	Mira		

	Bowl type RH	Bowl thickness (mm)	Bowl dimensions, WxDxH (mm)	Bowl depth (mm)	Radius corner right bowl (mm)	Overflow LH bowl	Strainer position	Strainer dimension
RH Bowl	Half bowl	1	147 x 296 x 150	150	50		Centre of bowl	3.5"
LH Bowl	Minimum radius	1	340 x 400 x 200	200	15	Yes, flush fitted	Side bowl	3.5"

## Technical Features



Frame thickness	0,7 mm	Popup command	Yes, double
Frame depth (mm)	15	Popup command type	Round
Dimensions of the product (mm)	215x1000x500 mm	Dividing wall width	30 mm
Cutout dimension topmount (mm)	980 x 480 mm	Drainer inclination	2 °
Height from kitchen top	6 mm	Gasket type	Sealing paste
Base unit size	80 cm	No. of clips	8
		Type of clips	Standard

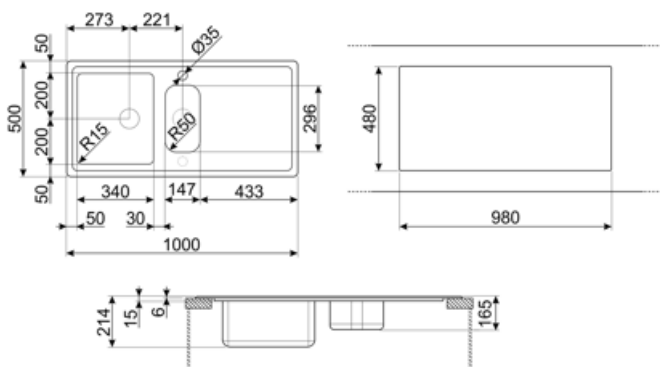
---

Tap hole	2
Tap hole diameter	35 mm

## Accessories included

---

Accessories for installation	Strainer, Savespace siphon with dishwasher outlet connection, Fixing clips, Gasket, Automatic pop - up with round rotary control
------------------------------	--



## Compatible Accessories



**3713**

Siphon double bowls sinks (dishwasher connection included)



**CB28QU**

Single HPL chopping board for minimum radius, oak, measures 280 x 418 H 12 mm



**COL19H**

St/Steel colander to fit MINIMUM radius mm bowl, measures 200 x 410 x 100 mm



**DB34**

St/steel drain basket to fit STD radius 340 x 400 bowl, 180 mm depth



**KITFD075**

Waste disposal 0,75 HP, Motor: 1/2 horsepower, Fits all sinks with 3 1/2" waste outlet



**STABMIX**

Tap stabiliser



**CB25MN**

Single HPE chopping board to fit minimum radius bowls, black matt, measures 250 x 410 H 12 mm, dishwasher safe



**COL19**

St/Steel colander to fit MINIMUM radius mm bowl, measures 200 x 410 x 26 mm



**COL36**

St/steel colander for MINIMUM radius bowls, measures 370 x 410 x 30 mm



**KITFD050**

Waste disposal 0,5 HP, Motor: 1/2 horsepower, Fits all sinks with 3 1/2" waste outlet





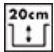


**KITFD100**

Waste disposal 1 HP, Motor: 1/2 horsepower, Fits all sinks with 3 1/2" waste outlet

---

## Symbols glossary

---

- |  |   |   |   |
|--|---|---|---|
|  | Cupboard width required for sink installation.  |  | Sink depth - depending on the model, the depth can be from 13 to 24,5.      |
|  | Sink depth - depending on the model, the depth can be from 13 to 24,5.  |  | Ultra-low profile: Installation of product with flat edge - height of 1 mm. |
|  | Thanks to the double tap hole, most of our sinks are easily reversible, giving you the flexibility to make any type of kitchen composition. |   |   |