

LDR102-2

Sink material	Stainless steel
Sink type	Welded
No. of bowls	1 + 3/4
Drainer	Reversible
EAN code	8017709304591



Aesthetics



Aesthetics	Universal	Building in type	Ultra-low profile
Series	Mira	Logo	Embossed
Colour	Stainless steel	Tap hole / precut tap hole	2 Tapholes
Finishing	Brushed		

	Bowl type	Bowl thickness (mm)	Bowl dimensions, WxDxH (mm)	Bowl depth (mm)	Radius corner right bowl (mm)	Overflow LH bowl	Strainer position	Strainer dimension
RH Bowl	Half bowl	1	147 x 296 x 150	150	50		Centre of bowl	3.5"
LH Bowl	Minimum radius	1	340 x 400 x 200	200	15	Yes, flush fitted	Side bowl	3.5"

Technical Features



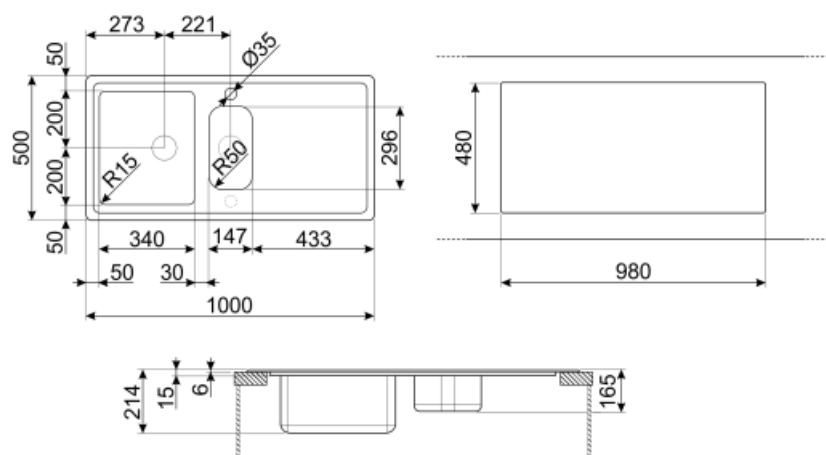
Frame thickness	0,7 mm	Popup command	Yes, double
Frame depth (mm)	15	Popup command type	Round
Dimensions of the product WxDxH (mm)	215x1000x500 mm	Dividing wall width	30 mm
Cutout dimension (mm)	980 x 480 mm	Drainer inclination	2 °
Height from kitchen top	6 mm	Gasket type	Sealing paste
Base unit size	80 cm	No. of clips	8
Tap hole	Yes	Type of clips	Standard

Tap hole diameter 35 mm

Accessories Included

Accessories for installation

Strainer, Siphon with dishwasher outlet connection, Fixing clips, Gasket, Automatic Pop-UP



Not included accessories



KITFD050

Waste disposal 0,5 HP Motor: 1/2 horsepower Fits all sinks with 3 1/2" waste outlet



DB34

Cestello in filo inox per abbinamento alle vasche di dimensione 340*400 mm



COL36

St/steel colander for MINIMUM radius bowls, measures 370 x 410 x 30 mm



KITFD100

Waste disposal 1 HP Motor: 1 horsepower Fits all sinks with 3 1/2" waste outlet



3713

Siphon double bowls sinks (dishwasher connection included)



STABMIX

Tap brace



COL19H

St/Steel colander to fit MINIMUM radius mm bowl, measures 200 x 410 x 100 mm



COL19

St/Steel colander to fit MINIMUM radius mm bowl, measures 200 x 410 x 26 mm



CB25MN

Single HPE chopping board to fit minimum radius bowls, black matt, measures 250 x 410 H 12 mm, dishwasher safe



KITFD075

Waste disposal 0,75 HP Motor: 3/4 horsepower Fits all sinks with 3 1/2" waste outlet



KITSLTRND2



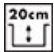


Automatic pop up (round knob) 2 bowls filo and standard overflow RND waste kit



CB28QU

Single HPL chopping board for minimum radius, oak, measures 280 x 418 H 12 mm

Symbols glossary

- | | | | |
|--|---|---|---|
|  | Cupboard width required for sink installation |  | Sink depth - depending on the model, the depth can be from 13 to 24,5 |
|  | Sink depth - depending on the model, the depth can be from 13 to 24,5 |  | Ultra-low profile: Installation of product with flat edge - height of 1 mm. |
|  | Thanks to the double tap hole, most of our sinks are easily reversible, giving you the flexibility to make any type of kitchen composition. | | |