

LDR116SA

Sink material	Stainless steel
Type	Welded sink
No. of bowls	2
Drainer	Reversible
EAN code	8017709342296



Aesthetics



Aesthetic	Universale	Building in type	Ultra-low profile
Colour	Stainless steel	Logo	Embossed
Finishing	Brushed	Tap hole / precut tap hole	No Taphole
Series	Mira		

	Bowl type RH	Bowl thickness (mm)	Bowl dimensions, WxDxH (mm)	Bowl depth (mm)	Radius corner right bowl (mm)	Overflow	Strainer position	Strainer dimension
RH Bowl	Minimum radius	1	340 x 400 x 200	200	15	Yes, flush fitted	Wall position	3.5"
LH Bowl	Minimum radius	1	340 x 400 x 200	200	15		Side bowl	3.5"

Technical Features

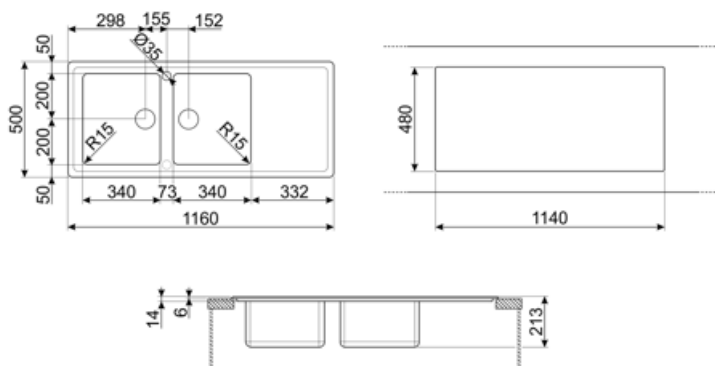


Frame thickness	0,7 mm	Popup command type	Round
Frame depth (mm)	15	Dividing wall width	75 mm
Dimensions of the product (mm)	215x1160x500 mm	Drainer inclination	2 °
Cutout dimension topmount (mm)	1140 x 480 mm	Gasket type	Sealing paste
Undermount cutout radius	10 mm	No. of clips	10
		Type of clips	Standard
		Possibility to install waste disposal	Yes

Height from kitchen top	6 mm
Base unit size	90 cm
Popup command	Yes, double

Accessories included

Accessories for installation	Strainer, Savespace siphon with dishwasher outlet connection, Fixing clips, Gasket
------------------------------	--



Compatible Accessories



KITFD050

Waste disposal 0,5 HP, Motor: 1/2 horsepower, Fits all sinks with 3 1/2" waste outlet



KITFD100

Waste disposal 1 HP, Motor: 1/2 horsepower, Fits all sinks with 3 1/2" waste outlet



KITFD075


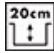


Waste disposal 0,75 HP, Motor: 1/2 horsepower, Fits all sinks with 3 1/2" waste outlet



STABMIX

Tap stabiliser

Symbols glossary

- | | | | |
|--|---|---|---|
|  | Cupboard width required for sink installation. |  | Sink depth - depending on the model, the depth can be from 13 to 24,5. |
|  | Ultra-low profile: Installation of product with flat edge - height of 1 mm. |  | Thanks to the double tap hole, most of our sinks are easily reversible, giving you the flexibility to make any type of kitchen composition. |