

# LDR861-2

Sink material	Stainless steel
Sink type	Welded
No. of bowls	1
Drainer	Reversible
EAN code	8017709304614



## Aesthetics



<b>Aesthetics</b>	Universal	<b>Building in type</b>	Ultra-low profile
<b>Series</b>	Mira	<b>Logo</b>	Embossed
<b>Colour</b>	Stainless steel	<b>Tap hole / precut tap hole</b>	2 Tapholes
<b>Finishing</b>	scotch Brite		

	Bowl type LH	Bowl thickness LH (mm)	Bowl dimensions LH, WxDxA (mm)	LH Bowl depth (mm)	Radius corner left bowl	Overflow LH bowl	Strainer position LH bowl	Strainer dimension LH bowl
LH Bowl	Minimum radius	1	340 x 400 x 200	200	15	Yes, flush fitted	Side bowl	3.5"

## Technical Features

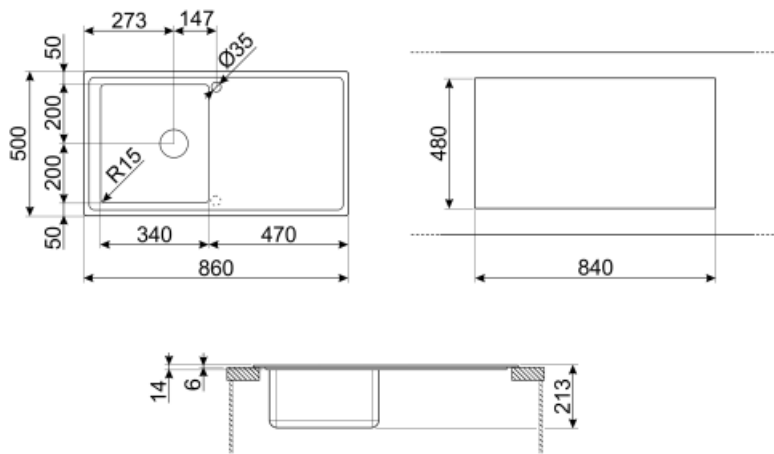


<b>Frame thickness</b>	0,7 mm	<b>Tap hole diameter</b>	35 mm
<b>Frame depth (mm)</b>	14	<b>Popup command</b>	Yes, single
<b>Dimensions of the product WxDxH (mm)</b>	214x860x500 mm	<b>Popup command type</b>	Round
<b>Cutout dimension (mm)</b>	840 x 480 mm	<b>Drainer inclination</b>	2 °
<b>Cutout radius</b>	5 mm	<b>Gasket type</b>	Sealing paste
<b>Height from kitchen top</b>	6 mm	<b>No. of clips</b>	8
<b>Base unit size</b>	60 cm	<b>Type of clips</b>	Standard
<b>Tap hole</b>	Yes		

## Accessories Included

Accessories for  
installation

Strainer, Siphon with  
dishwasher outlet  
connection, Fixing clips,  
Gasket, Automatic Pop-UP



## Not included accessories



### KITFD050

Waste disposal 0,5 HP Motor: 1/2 horsepower Fits all sinks with 3 1/2" waste outlet



### DB34

Cestello in filo inox per abbinamento alle vasche di dimensione 340\*400 mm



### COL36

St/steel colander for MINIMUM radius bowls, measures 370 x 410 x 30 mm



### KITFD100

Waste disposal 1 HP Motor: 1 horsepower Fits all sinks with 3 1/2" waste outlet



### KITSLTRND1

Automatic pop up (round knob) 1 bowl filo and standard overflow RND waste kit



### 3713

Siphon double bowls sinks (dishwasher connection included)



### STABMIX

Tap brace



### COL19H

St/Steel colander to fit MINIMUM radius mm bowl, measures 200 x 410 x 100 mm



### COL19

St/Steel colander to fit MINIMUM radius mm bowl, measures 200 x 410 x 26 mm



### CB25MN

Single HPE chopping board to fit minimum radius bowls, black matt, measures 250 x 410 H 12 mm, dishwasher safe



### KITFD075

Waste disposal 0,75 HP Motor: 3/4 horsepower Fits all sinks with 3 1/2" waste outlet



### CB28QU

Single HPL chopping board for minimum radius, oak, measures 280 x 418 H 12 mm

---

## Symbols glossary

---



Cupboard width required for sink installation



Sink depth - depending on the model, the depth can be from 13 to 24,5



Ultra-low profile: Installation of product with flat edge - height of 1 mm.



Thanks to the double tap hole, most of our sinks are easily reversible, giving you the flexibility to make any type of kitchen composition.