

LDR862-2

Sink material	Stainless steel
Type	Welded sink
No. of bowls	2
EAN code	8017709304621



Aesthetics



Aesthetic	Universale	Building in type	Ultra-low profile
Colour	Stainless steel	Logo	Embossed
Finishing	Scotch Brite	Tap hole / precut tap hole	2 Tapholes
Series	Mira		

	Bowl type RH	Bowl thickness (mm)	Bowl dimensions, WxDxH (mm)	Bowl depth (mm)	Radius corner right bowl (mm)	Overflow	Strainer position	Strainer dimension
RH Bowl	Minimum radius	1	340 x 400 x 200	200	15	Yes, flush fitted	Side bowl	3.5"
LH Bowl	Minimum radius	1	340 x 400 x 200	200	15		Side bowl	3.5"

Technical Features



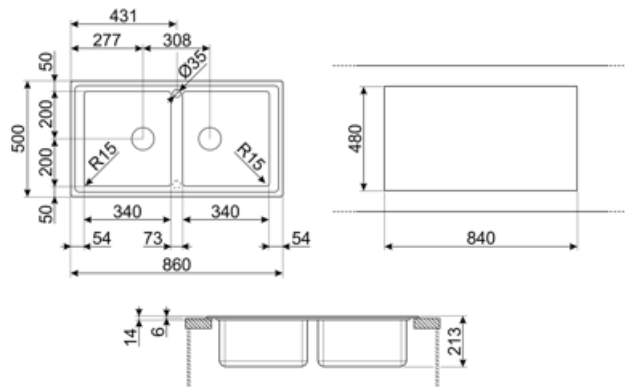
Frame thickness	0,7 mm	Tap hole diameter	35 mm
Frame depth (mm)	14	Popup command	Yes, double
Dimensions of the product (mm)	215x860x500 mm	Popup command type	Round
Cutout dimension topmount (mm)	840 x 480 mm	Dividing wall width	75 mm
Undermount cutout radius	5 mm	Gasket type	Sealing paste
		No. of clips	10
		Type of clips	Standard

Height from kitchen top	6 mm
Base unit size	90 cm
Tap hole	2

Accessories included

Accessories for installation

Strainer, Savespace siphon with dishwasher outlet connection, Fixing clips, Gasket, Automatic pop - up with round rotary control



Compatible Accessories



3713

Siphon double bowls sinks (dishwasher connection included)



CB28QU

Single HPL chopping board for minimum radius, oak, measures 280 x 418 H 12 mm



COL19H

St/Steel colander to fit MINIMUM radius mm bowl, measures 200 x 410 x 100 mm



DB34

St/steel drain basket to fit STD radius 340 x 400 bowl, 180 mm depth



KITFD075

Waste disposal 0,75 HP, Motor: 1/2 horsepower, Fits all sinks with 3 1/2" waste outlet



STABMIX

Tap stabiliser



CB25MN

Single HPE chopping board to fit minimum radius bowls, black matt, measures 250 x 410 H 12 mm, dishwasher safe



COL19

St/Steel colander to fit MINIMUM radius mm bowl, measures 200 x 410 x 26 mm



COL36

St/steel colander for MINIMUM radius bowls, measures 370 x 410 x 30 mm



KITFD050

Waste disposal 0,5 HP, Motor: 1/2 horsepower, Fits all sinks with 3 1/2" waste outlet



KITFD100

Waste disposal 1 HP, Motor: 1/2 horsepower, Fits all sinks with 3 1/2" waste outlet

Symbols glossary



Cupboard width required for sink installation.



Sink depth - depending on the model, the depth can be from 13 to 24,5.



Ultra-low profile: Installation of product with flat edge - height of 1 mm.