

LE116S

Sink material	Stainless steel
Type	Welded sink
No. of bowls	2
Drainer	Left
EAN code	8017709129729



Aesthetics



Aesthetic	Universale	Building in type	Ultra-low profile
Serie	Rigae	Logo	Embossed
Colour	Stainless steel	Tap hole / precut tap hole	1 Tap hole
Finishing	Brushed		

	Bowl type RH	Bowl thickness (mm)	Bowl dimensions, WxDxH (mm)	Bowl depth (mm)	Radius corner right bowl (mm)	Overflow LH bowl	Strainer position	Strainer dimension
RH Bowl	Traditional	0.6	340 x 400 x 180	180	80		Wall position	3.5"
LH Bowl	Traditional	0.6	340 x 400 x 180	180	80	Yes, traditional	Wall position	3.5"

Technical Features



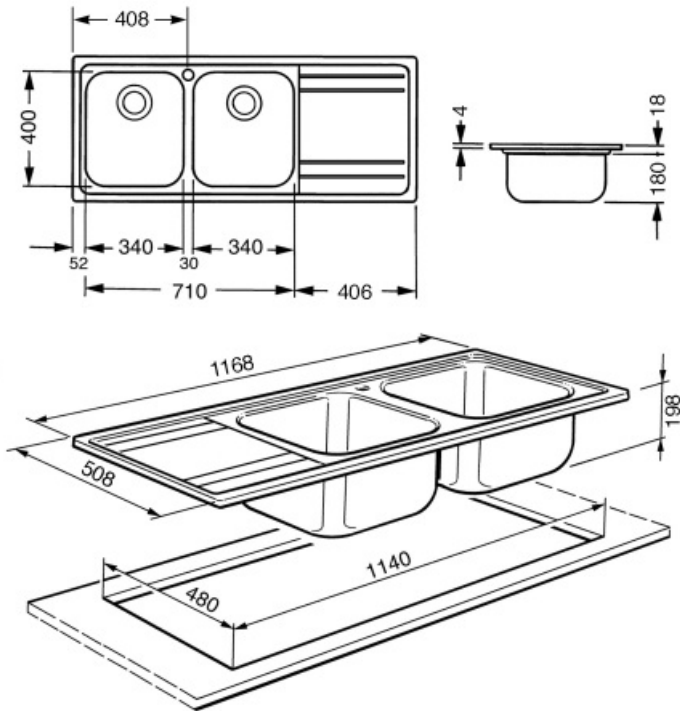
Frame thickness	0,6 mm	Tap hole	1
Frame depth (mm)	18	Dividing wall width	30 mm
Dimensions of the product (mm)	198x1170x510 mm	Drainer inclination	2 °
Cutout dimension topmount (mm)	1140 x 480 mm	Gasket type	Sealing paste
Undermount cutout radius	15 mm	No. of clips	10
		Type of clips	Standard

Height from kitchen top 6 mm
Base unit size 80 cm

Accessories Included

Accessories for installation

Strainer, Savespace siphon with dishwasher outlet connection, Fixing clips, Gasket



Not included accessories



KITFD050

Waste disposal 0,5 HP, Motor: 1/2 horsepower, Fits all sinks with 3 1/2" waste outlet



KITFD100

Waste disposal 1 HP, Motor: 1/2 horsepower, Fits all sinks with 3 1/2" waste outlet



STABMIX

Tap stabiliser



CB34

Single wooden chopping board to fit STD radius 340 x 400 mm bowl



KITFD075


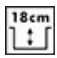

Waste disposal 0,75 HP, Motor: 1/2 horsepower, Fits all sinks with 3 1/2" waste outlet



RND2V

2 Bowls standard Rondò waste kit with rectangular overflow

Symbols glossary (TT)

- | | | | |
|--|---|---|---|
|  | Cupboard width required for sink installation |  | Sink depth - depending on the model, the depth can be from 13 to 24,5 |
|  | Ultra-low profile: Installation of product with flat edge - height of 1 mm. | | |