

# LEV420

<b>Family</b>	Professional proofers
<b>Suitable for</b>	Convection ovens 600x400 mm - GN1/1
<b>Suitable for</b>	ALFA420 and ALFA410 series; ALFA625 series

Humidified proofer for 8 trays EN 600x400 or GN1/1, suitable for ALFA410/ALFA420/425 and ALFA625 models, max. temperature 60°C, 75mm trays pitch, 230V/1N/50-60Hz, 2,4kW, dim. (LxPxH) 800x678x866 mm



## Target

<b>Industries</b>	Coffee shops/Wine bars; Hotels; Restaurants/Pubs; Bakery/Pastry making; Frozen bakery industry; Food retail; Other food industry; Catering and Institutions; QSR
<b>Suggested for</b>	Bakery

## Aesthetics

<b>Colour</b>	Stainless steel/Black
---------------	-----------------------

## Construction

<b>Temperature control</b>	Manual	<b>Distance among trays</b>	75 mm
<b>Maximum temperature</b>	60°C	<b>Maximum weight stacked</b>	80 kg
<b>Power supply</b>	230V 1N 50/60Hz - 2,4kW	<b>Water load</b>	Manual on tank floor
<b>Trays capacity</b>	8 trays EN 600x400 - GN 1/1	<b>Door Gasket</b>	Yes

## Electrical Connection

<b>Plug</b>	(F;E) Schuko
-------------	--------------

## Logistic Information

<b>Net weight</b>	36 kg
-------------------	-------

Dimensions of the product (WxDxH)

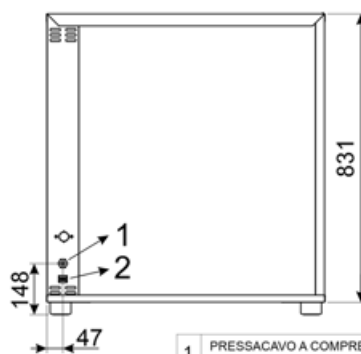
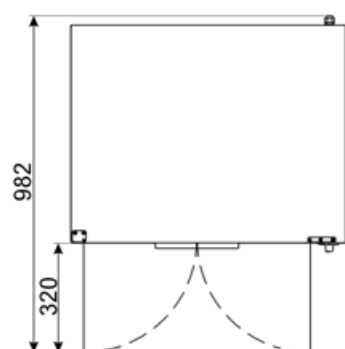
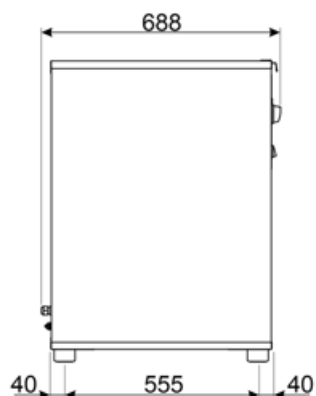
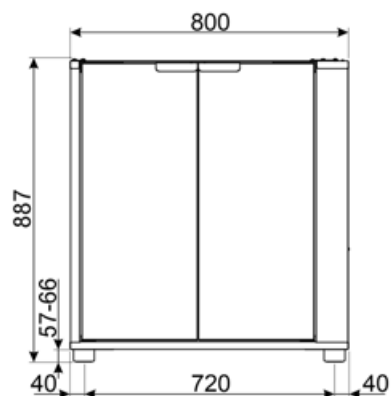
800x678x866 mm

Gross weigh

50 kg

Packed product dimensions (WxDxH)

850x790x1000 mm



1	PRESSACAVO A COMPRESSIONE COMPRESSION CABLE GLAND
2	MORSETTO EQUIPOTENZIALE UNPOTENTIAL TERMINAL