

# LFT861D

Sink material	Stainless steel
Type	Welded sink
No. of bowls	1
Drainer	Right
EAN code	8017709210441



## Aesthetics



<b>Aesthetic</b>	Universale	<b>Building in type</b>	Flush fitted, Flat
<b>Series</b>	Mira	<b>Logo</b>	Embossed
<b>Colour</b>	Stainless steel	<b>Tap hole / precut tap hole</b>	2 Tapholes
<b>Finishing</b>	Brushed		

	Bowl type LH	Bowl thickness LH (mm)	Bowl dimensions LH, WxDxA (mm)	LH Bowl depth (mm)	Radius corner left bowl	Overflow LH bowl	Strainer position LH bowl	Strainer dimension LH bowl
LH Bowl	Minimum radius	1	340 x 400 x 200	200	15	Yes, flush fitted	Wall position	3.5"

## Technical Features

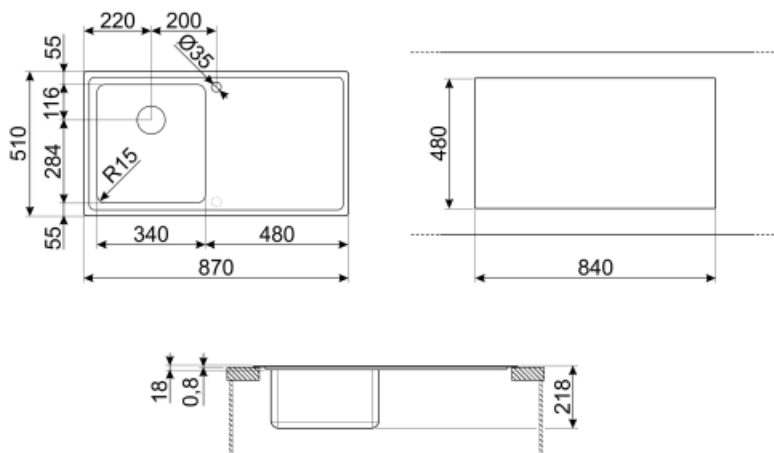


<b>Frame thickness</b>	0,7 mm	<b>Tap hole diameter</b>	35 mm
<b>Frame depth (mm)</b>	18	<b>Popup command</b>	Yes, single
<b>Dimensions of the product (mm)</b>	218x870x510 mm	<b>Popup command type</b>	Squared
<b>Cutout dimension topmount (mm)</b>	840 x 480 mm	<b>Drainer inclination</b>	2 °
<b>Undermount cutout radius</b>	5 mm	<b>Gasket type</b>	Sealing paste
<b>Height from kitchen top</b>	1 mm	<b>No. of clips</b>	10
<b>Base unit size</b>	45 cm	<b>Type of clips</b>	Standard
<b>Tap hole</b>	2		

## Accessories Included

### Accessories for installation

Strainer, Savespace siphon with dishwasher outlet connection, Fixing clips, Gasket, Automatic pop - up with round rotary control



## Not included accessories



### KITFD050

Waste disposal 0,5 HP, Motor: 1/2 horsepower, Fits all sinks with 3 1/2" waste outlet



### DB34

St/steel drain basket to fit STD radius 340 x 400 bowl, 180 mm depth



### COL36

St/steel colander for MINIMUM radius bowls, measures 370 x 410 x 30 mm



### KITFD100

Waste disposal 1 HP, Motor: 1/2 horsepower, Fits all sinks with 3 1/2" waste outlet



### KITSLTRND1

Bowl automatic pop up Rondò waste kit with rectangular overflow and round knob



### 3712

Siphon single bowl sinks (dishwasher connection included)



### STABMIX

Tap stabiliser



### COL19H

St/Steel colander to fit MINIMUM radius mm bowl, measures 200 x 410 x 100 mm



### COL19

St/Steel colander to fit MINIMUM radius mm bowl, measures 200 x 410 x 26 mm



### CB25MN

Single HPE chopping board to fit minimum radius bowls, black matt, measures 250 x 410 H 12 mm, dishwasher safe



### KITFD075

Waste disposal 0,75 HP, Motor: 1/2 horsepower, Fits all sinks with 3 1/2" waste outlet



### CB28QU

Single HPL chopping board for minimum radius, oak, measures 280 x 418 H 12 mm

---

## Alternative products

---

**LFT861S**


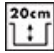


**Colour: Stainless steel**



---

## Symbols glossary (TT)

---

- |  |   |   |   |
|--|---|---|---|
|  | Cupboard width required for sink installation |  | Sink depth - depending on the model, the depth can be from 13 to 24,5   |
|  | Flat: Installation of product with flat edge. |  | Flush-fitted installation: Models of sinks/hobs which are integrated flush with the tabletop of a kitchen unit. |