

# LFT861D

Materiaal	Inox
Type spoelbak	Gesoldeerd/ Gelast
Aantal spoelbakken	1
Verlek	Verlek rechts
EAN-code	8017709210441



## Design



<b>Design</b>	Universeel	<b>Type inbouw</b>	Vlak opbouw, Plat
<b>Kleur</b>	Inox	<b>Logo</b>	In reliëf
<b>Afwerking</b>	Scotch Brite	<b>Geperforeerde opening voor kraan</b>	2 geperforeerde openingen voor kraan
<b>Series</b>	Mira		

	Type bak L	Staaldikte spoelbak L (mm)	Afmetingen spoelbak links, BxHxD (mm)	Diepte spoelbak L (mm)	Hoekradius spoelbak links	Overloop spoelbak L	Positie crepine spoelbak links	Afmeting vergiet
Spoelbak links	Minimum radius	1	340 x 400 x 200	200	15	Ja, verzonken	Wandkap	8,89 cm

## Technische specificaties

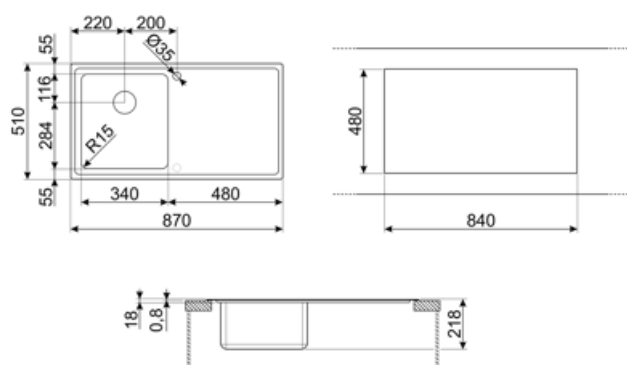


<b>Frame dikte</b>	0,7 mm	<b>Diameter kraangat</b>	35 mm
<b>Diepte frame (mm)</b>	18	<b>Pop-up bediening</b>	Ja, enkel
<b>Afmetingen product (mm)</b>	218x870x510 mm	<b>Type popup bediening</b>	Rechthoekig
<b>Afmetingen nis (mm)</b>	840 x 480 mm	<b>Inclinatie verlek</b>	2 °
<b>Uitsnij radius</b>	5 mm	<b>Type garnituur</b>	Afdichtpasta
<b>Hoogte vanaf werkblad</b>	1 mm	<b>Aantal haken</b>	10
<b>Afmeting inbouwmeubel</b>	45 cm	<b>Type haken</b>	Standaard

2 geperforeerde 2  
openingen voor kraan en  
systeem voor lediging

## Meegeleverde accessoires

Accessoires voor Crepine, Sifon met  
installatie inbegrepen vaatwasseraansluiting,  
Montagehaken, Joints,  
Automatische pop-up



## Compatible Accessories



**3712**

Siphon single bowl sinks (dishwasher connection included)



**CB28QU**

Single HPL chopping board for minimum radius, oak, measures 280 x 418 H 12 mm



**COL19H**

St/Steel colander to fit MINIMUM radius mm bowl, measures 200 x 410 x 100 mm



**DB34**

St/steel drain basket to fit STD radius 340 x 400 bowl, 180 mm depth



**KITFD075**

Waste disposal 0,75 HP, Motor: 1/2 horsepower, Fits all sinks with 3 1/2" waste outlet



**KITSLTRND1**

Bowl automatic pop up Rondò waste kit with rectangular overflow and round knob



**CB25MN**

Single HPE chopping board to fit minimum radius bowls, black matt, measures 250 x 410 H 12 mm, dishwasher safe



**COL19**

St/Steel colander to fit MINIMUM radius mm bowl, measures 200 x 410 x 26 mm



**COL36**

St/steel colander for MINIMUM radius bowls, measures 370 x 410 x 30 mm



**KITFD050**

Waste disposal 0,5 HP, Motor: 1/2 horsepower, Fits all sinks with 3 1/2" waste outlet



**KITFD100**

Waste disposal 1 HP, Motor: 1/2 horsepower, Fits all sinks with 3 1/2" waste outlet



**STABMIX**

Tap stabiliser

---

## Alternative products

---

LFT861S


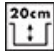


Kleur: Inox



---

## Symbols glossary

---

- |  |  |   |   |
|--|--|---|---|
|  | Cupboard width required for sink installation. |  | Sink depth - depending on the model, the depth can be from 13 to 24,5.  |
|  | Flat: Installation of product with flat edge.  |  | Flush-fitted installation: Models of sinks/hobs which are integrated flush with the tabletop of a kitchen unit. |