

LFT861S

Materiaal	Inox
Type spoelbak	Gesoldeerd/ Gelast
Aantal spoelbakken	1
Verlek	Verlek links
EAN-code	8017709210458



Design



Design	Universeel	Type inbouw	Vlak opbouw, Plat
Kleur	Inox	Logo	In reliëf
Afwerking	Scotch Brite	Geperforeerde opening voor kraan	2 geperforeerde openingen voor kraan
Series	Mira		

	Type spoelbak	Staaldikte spoelbak (mm)	Afmetingen spoelbak, BxHxD (mm)	Diepte spoelbak (mm)	Hoekradius spoelbak	Overloop spoelbak	Positie crepine	Afmeting crepine
Spoelbak rechts	Minimum radius	1	340 x 400 x 200	200	15	Ja, verzonken	Wandkap	8,89 cm

Technische specificaties

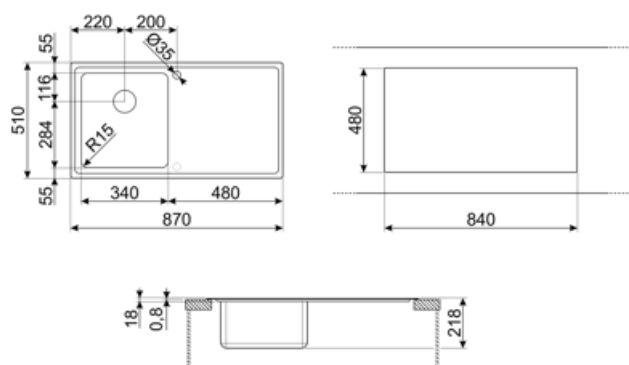


Frame dikte	0,7 mm	Diameter kraangat	35 mm
Diepte frame (mm)	18	Pop-up bediening	Ja, enkel
Afmetingen product (mm)	218x870x510 mm	Type popup bediening	Rechthoekig
Afmetingen nis (mm)	840 x 480 mm	Inclinatie verlek	2 °
Uitsnij radius	5 mm	Type garnituur	Afdichtpasta
Hoogte vanaf werkblad	1 mm	Aantal haken	10
Afmeting inbouwmeubel	45 cm	Type haken	Standaard
2 geperforeerde openingen voor kraan en systeem voor lediging	2		

Meegeleverde accessoires

Accessoires voor
installatie inbegrepen

Crepine, Sifon met
vaatwasseraansluiting,
Montagehaken, Joints,
Automatische pop-up



Compatible Accessories



3712

Siphon single bowl sinks (dishwasher connection included)



CB28QU

Single HPL chopping board for minimum radius, oak, measures 280 x 418 H 12 mm



COL19H

St/Steel colander to fit MINIMUM radius mm bowl, measures 200 x 410 x 100 mm



DB34

St/steel drain basket to fit STD radius 340 x 400 bowl, 180 mm depth



KITFD075

Waste disposal 0,75 HP, Motor: 1/2 horsepower, Fits all sinks with 3 1/2" waste outlet



KITSLTRND1

Bowl automatic pop up Rondò waste kit with rectangular overflow and round knob



CB25MN

Single HPE chopping board to fit minimum radius bowls, black matt, measures 250 x 410 H 12 mm, dishwasher safe



COL19

St/Steel colander to fit MINIMUM radius mm bowl, measures 200 x 410 x 26 mm



COL36

St/steel colander for MINIMUM radius bowls, measures 370 x 410 x 30 mm



KITFD050

Waste disposal 0,5 HP, Motor: 1/2 horsepower, Fits all sinks with 3 1/2" waste outlet



KITFD100

Waste disposal 1 HP, Motor: 1/2 horsepower, Fits all sinks with 3 1/2" waste outlet



STABMIX

Tap stabiliser


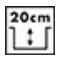


Alternative products

LFT861D

Kleur: Inox



Symbols glossary

- | | | | |
|----------------------------------------------------------------------------------|------------------------------------------------|-----------------------------------------------------------------------------------|-----------------------------------------------------------------------------------------------------------------|
|  | Cupboard width required for sink installation. |  | Sink depth - depending on the model, the depth can be from 13 to 24,5. |
|  | Flat: Installation of product with flat edge. |  | Flush-fitted installation: Models of sinks/hobs which are integrated flush with the tabletop of a kitchen unit. |