

# LFT862

Sink material	Stainless steel
Type	Welded sink
No. of bowls	2
EAN code	8017709210434



## Aesthetics



<b>Aesthetic</b>	Universale	<b>Building in type</b>	Flush fitted, Flat
<b>Series</b>	Mira	<b>Logo</b>	Embossed
<b>Colour</b>	Stainless steel	<b>Tap hole / precut tap hole</b>	2 Tapholes
<b>Finishing</b>	Brushed		

	Bowl type RH	Bowl thickness (mm)	Bowl dimensions, WxDxH (mm)	Bowl depth (mm)	Radius corner right bowl (mm)	Overflow	Strainer position	Strainer dimension
RH Bowl	Minimum radius	1	340 x 400 x 200	200	15	Yes, flush fitted	Wall position	3.5"
LH Bowl	Minimum radius	1	340 x 400 x 200	200	15		Wall position	3.5"

## Technical Features



<b>Frame thickness</b>	0,7 mm	<b>Tap hole diameter</b>	35 mm
<b>Frame depth (mm)</b>	15	<b>Popup command</b>	Yes, double
<b>Dimensions of the product (mm)</b>	215x870x510 mm	<b>Popup command type</b>	Squared
<b>Cutout dimension topmount (mm)</b>	840 x 480 mm	<b>Dividing wall width</b>	75 mm
<b>Undermount cutout radius</b>	5 mm	<b>Gasket type</b>	Sealing paste
		<b>No. of clips</b>	12
		<b>Type of clips</b>	Standard

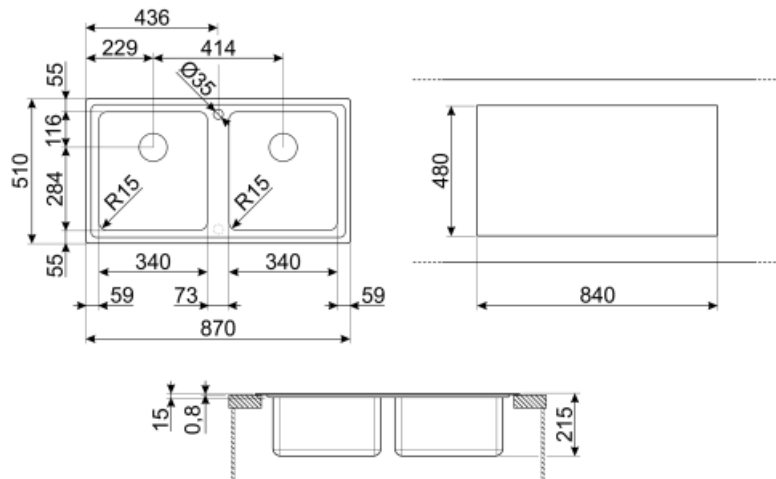
---

Height from kitchen top	1 mm
Base unit size	90 cm
Tap hole	2

## Accessories Included

---

Accessories for installation	Strainer, Savespace siphon with dishwasher outlet connection, Fixing clips, Gasket, Automatic pop - up with roudn rotary control
------------------------------	--



## Not included accessories



### KITFD050

Waste disposal 0,5 HP, Motor: 1/2 horsepower, Fits all sinks with 3 1/2" waste outlet



### DB34

St/steel drain basket to fit STD radius 340 x 400 bowl, 180 mm depth



### COL36

St/steel colander for MINIMUM radius bowls, measures 370 x 410 x 30 mm



### KITFD100

Waste disposal 1 HP, Motor: 1/2 horsepower, Fits all sinks with 3 1/2" waste outlet



### 3713

Siphon double bowls sinks (dishwasher connection included)



### STABMIX

Tap stabiliser



### COL19H

St/Steel colander to fit MINIMUM radius mm bowl, measures 200 x 410 x 100 mm



### COL19

St/Steel colander to fit MINIMUM radius mm bowl, measures 200 x 410 x 26 mm



### CB25MN

Single HPE chopping board to fit minimum radius bowls, black matt, measures 250 x 410 H 12 mm, dishwasher safe



### KITFD075

Waste disposal 0,75 HP, Motor: 1/2 horsepower, Fits all sinks with 3 1/2" waste outlet



### KITSLTRND2

2 Bowls automatic Rondò pop up waste kit with rectangular overflow and round knob




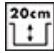


### CB28QU

Single HPL chopping board for minimum radius, oak, measures 280 x 418 H 12 mm

---

## Symbols glossary (TT)

---

- |  |   |   |   |
|--|---|---|---|
|  | Cupboard width required for sink installation |  | Sink depth - depending on the model, the depth can be from 13 to 24,5   |
|  | Flat: Installation of product with flat edge. |  | Flush-fitted installation: Models of sinks/hobs which are integrated flush with the tabletop of a kitchen unit. |