

LFTG861D

Sink material	Stainless steel
Type	Welded sink
No. of bowls	1
Drainer	Right
EAN code	8017709282400



Aesthetics



Serie	Mira	Building in type	Flush fitted, Flat
Aesthetic	Universale	Logo	Embossed
Colour	Stainless steel	Tap hole / precut tap hole	2 Tapholes
Finishing	Brushed		

	Bowl type LH	Bowl thickness LH (mm)	Bowl dimensions LH, WxDxA (mm)	LH Bowl depth (mm)	Radius corner left bowl	Overflow LH bowl	Strainer position LH bowl	Strainer dimension LH bowl
LH Bowl	Minimum radius	1	450 x 400 x 200	200	15	Yes, flush fitted	Wall position	3.5"

Technical Features

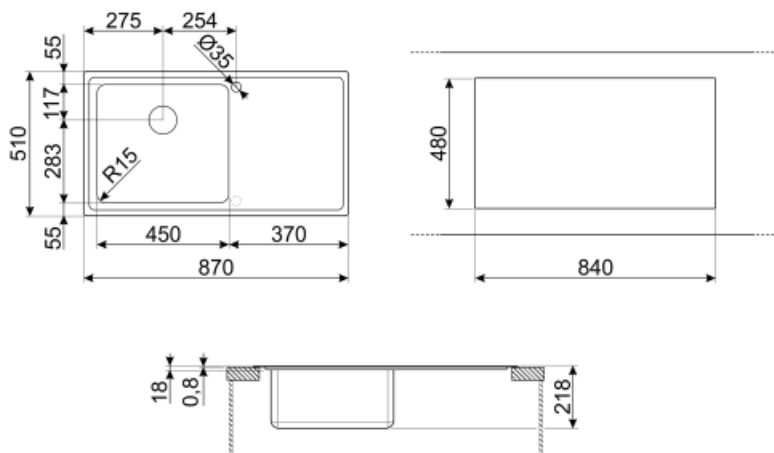


Frame thickness	0,7 mm	Tap hole diameter	35 mm
Frame depth (mm)	18	Popup command	Yes, single
Dimensions of the product (mm)	218x870x510 mm	Popup command type	Squared
Cutout dimension topmount (mm)	840 x 480 mm	Drainer inclination	2 °
Undermount cutout radius	5 mm	Gasket type	Sealing paste
Height from kitchen top	1 mm	No. of clips	10
Base unit size	60 cm	Type of clips	Standard
Tap hole	2		

Accessories Included

Accessories for installation

Strainer, Savespace siphon with dishwasher outlet connection, Fixing clips, Gasket, Automatic pop - up with roudn rotary control



Not included accessories



KITFD050

Waste disposal 0,5 HP, Motor: 1/2 horsepower, Fits all sinks with 3 1/2" waste outlet



DB34

St/steel drain basket to fit STD radius 340 x 400 bowl, 180 mm depth



COL36

St/steel colander for MINIMUM radius bowls, measures 370 x 410 x 30 mm



KITFD100

Waste disposal 1 HP, Motor: 1/2 horsepower, Fits all sinks with 3 1/2" waste outlet



KITSLTRND1

Bowl automatic pop up Rondò waste kit with rectangular overflow and round knob



3712

Siphon single bowl sinks (dishwasher connection included)



STABMIX

Tap stabiliser



COL19H

St/Steel colander to fit MINIMUM radius mm bowl, measures 200 x 410 x 100 mm



COL19

St/Steel colander to fit MINIMUM radius mm bowl, measures 200 x 410 x 26 mm



CB25MN

Single HPE chopping board to fit minimum radius bowls, black matt, measures 250 x 410 H 12 mm, dishwasher safe



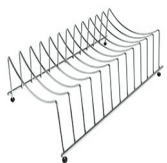
KITFD075

Waste disposal 0,75 HP, Motor: 1/2 horsepower, Fits all sinks with 3 1/2" waste outlet



KITFD050UK

Waste disposal 0,5 HP, Motor: 1/2 horsepower, Fits all sinks with 3 1/2" waste outlet, UK



COLPTX


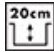


Draining rack base 300 x 185 x 82 mm



CB28QU

Single HPL chopping board for minimum radius, oak, measures 280 x 418 H 12 mm

Symbols glossary (TT)

- | | | | |
|--|---|---|---|
|  | Cupboard width required for sink installation |  | Sink depth - depending on the model, the depth can be from 13 to 24,5 |
|  | Flat: Installation of product with flat edge. |  | Flush-fitted installation: Models of sinks/hobs which are integrated flush with the tabletop of a kitchen unit. |