

# LFTG861D

Sink material	Stainless steel
Type	Welded sink
No. of bowls	1
Drainer	Right
EAN code	8017709282400



## Aesthetics



Aesthetic	Universal	Logo	Embossed
Serie	Mira	Alternative colours available	No
Colour	Stainless steel	Half bowl cup drainer	No
Acabamento	scotch Brite	Tap hole / precut tap hole	2 Tapholes
Building in type	Flat		

	Bowl type LH	Bowl thickness LH (mm)	Bowl dimensions LH, WxDxA (mm)	LH Bowl depth (mm)	Radius corner left bowl	Overflow LH bowl	Strainer position LH bowl	Strainer dimension LH bowl
LH Bowl	Minimum radius	1	450 x 400 x 200	200	15	Yes, flush fitted	Wall position	3.5"

## Technical Features



Frame thickness	0,7 mm	Popup command	Yes, single
Frame depth (mm)	18	Popup command type	Squared
Dimensions of the product (mm)	218x870x510 mm	Drainer inclination	2 °
Cutout dimension topmount (mm)	840 x 480 mm	Gasket type	Sealing paste
Cutout radius	5 mm	Pre-assembled gasket	No
Height from kitchen top	1 mm	No. of clips	10
Base unit size	60 cm	Type of clips	Standard
		Popup command	Yes, single

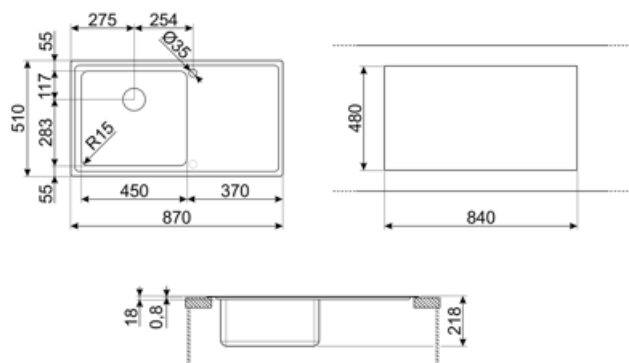
---

Tap hole	2
Diâmetro do furo da torneira	35 mm

## Accessories Included

---

Accessories for installation	Strainer, Siphon with dishwasher outlet connection, Fixing clips, Gasket, Automatic Pop-UP	<b>Basket</b>	No
		<b>Wooden board</b>	No
		<b>White board</b>	No
Colander	No		
Rondò Cover waste kit	No		
Glass board	No		



## Compatible Accessories



**3712**

Pias de bacia única sifão (conexão da máquina lava-louça incluída)



**CB28QU**

Tábua única de corte HPL para raio mínimo, carvalho, mede 280 x 418 H 12 mm



**COL19H**

Coador aço inox para encaixar na tigela de raio MÍNIMO mm, mede 200 x 410 x 100 mm



**DB34**

Cesto de fio inox para acoplar às pias com dimensões de 340\*400 mm



**KITFD075**

Eliminação de resíduos 0,75 CV Motor: 3/4 CV Adapta-se a todas as pias com saída de resíduos de 3 1/2"



**KITSLTRND1**

Pop automático (botão redondo) 1 bacia fio e transbordo padrão kit de resíduos RND



**CB25MN**

Tábua única de corte HPE para caber em tigelas de raio mínimo, fosca preta, mede 250 x 410 H 12 mm, pode ir à máquina lava-louça



**COL19**

Coador aço inox para encaixar na tigela de raio MÍNIMO mm, mede 200 x 410 x 26 mm



**COL36**

Coador de aço para tigelas de raio mínimo, mede 370 x 410 x 30 mm



**KITFD050**

Eliminação de resíduos 0,5 CV Motor: 1/2 cv Serve para todas as pias com saída de resíduos de 3 1/2"



**KITFD100**

Eliminação de resíduos 1 CV Motor: 1 cv Serve para todas as pias com saída de resíduos de 3 1/2"



**STABMIX**

estabilizador para misturadores

---

## Symbols glossary

---



Largura do armário necessária para a instalação da pia



Profundidade da pia - dependendo do modelo, a profundidade pode ser de 13 a 24,5



Plana Instalação de produtos com aresta plana.

## Benefit (TT)

---

### **One bowl**

A single bowl for greater adaptability, capacity and space optimisation

### **Drainer**

The drawer allows dishes, cutlery and kitchen utensils to be placed directly on the sink after washing: excess water can drain into the sink, allowing for natural drying

### **Double tap hole**

The sink is easily reversible, making it possible to create any type of kitchen composition

### **Pop-up command**

The pop-up command allows the sink drain to be opened and closed remotely with a simple gesture and without the need to touch the plug directly, increasing convenience and hygiene in the kitchen

### **Tap hole**

Possibility of having the tap hole for direct installation of the tap on the sink, for a larger and neater surface area

### **Waste Kit**

Possibility to install the waste disposal KITFD100 to easily dispose of organic waste, saving time and effort

The waste disposal is the ideal solution for a clean and sustainable kitchen: simple to use and compact, it disposes of food waste directly from the sink, reducing kitchen bad smells and improving hygiene