

# LFTG861S

Sink material	Stainless steel
Type	Welded sink
No. of bowls	1
Drainer	Left
EAN code	8017709282417



## Aesthetics



<b>Aesthetic</b>	Universal	<b>Logo</b>	Embossed
<b>Serie</b>	Mira	<b>Alternative colours available</b>	No
<b>Colour</b>	Stainless steel	<b>Half bowl cup drainer</b>	No
<b>Acabamento</b>	scotch Brite	<b>Tap hole / precut tap hole</b>	2 Tapholes
<b>Building in type</b>	Flat		

	Bowl type RH	Bowl thickness (mm)	Bowl dimensions, WxDxH (mm)	Bowl depth (mm)	Radius corner right bowl (mm)	Overflow	Strainer position	Strainer dimension
RH Bowl	Minimum radius	1	450 x 400 x 200	200	15	Yes, flush fitted	Wall position	3.5"

## Technical Features



<b>Frame thickness</b>	0.7 mm	<b>Popup command</b>	Yes, single
<b>Frame depth (mm)</b>	18	<b>Popup command type</b>	Squared
<b>Dimensions of the product (mm)</b>	218x870x510 mm	<b>Drainer inclination</b>	2 °
<b>Cutout dimension topmount (mm)</b>	840 x 480 mm	<b>Gasket type</b>	Sealing paste
<b>Cutout radius</b>	5 mm	<b>Pre-assembled gasket</b>	No
<b>Height from kitchen top</b>	1 mm	<b>No. of clips</b>	10
<b>Base unit size</b>	45 cm	<b>Type of clips</b>	Standard
		<b>Popup command</b>	Yes, single

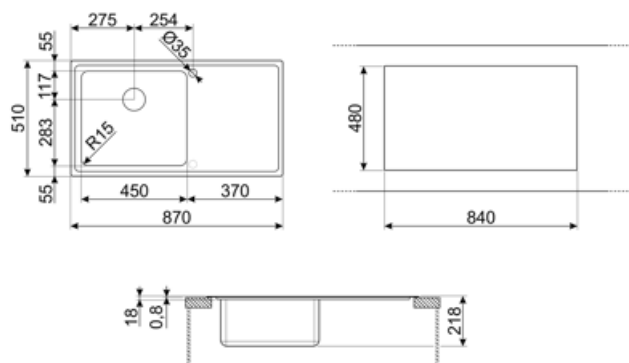
---

Tap hole	2
Diâmetro do furo da torneira	35 mm

## Accessories Included

---

Accessories for installation	Strainer, Siphon with dishwasher outlet connection, Fixing clips, Gasket, Automatic Pop-UP	<b>Basket</b>	No
		<b>Wooden board</b>	No
		<b>White board</b>	No
Colander	No		
Rondò Cover waste kit	No		
Glass board	No		



## Compatible Accessories



**3712**

Pias de bacia única sifão (conexão da máquina lava-louça incluída)



**CB28QU**

Tábua única de corte HPL para raio mínimo, carvalho, mede 280 x 418 H 12 mm



**COL19H**

Coador aço inox para encaixar na tigela de raio MÍNIMO mm, mede 200 x 410 x 100 mm



**DB34**

Cesto de fio inox para acoplar às pias com dimensões de 340\*400 mm



**KITFD075**

Eliminação de resíduos 0,75 CV Motor: 3/4 CV Adapta-se a todas as pias com saída de resíduos de 3 1/2"



**KITSLTRND1**

Pop automático (botão redondo) 1 bacia fio e transbordo padrão kit de resíduos RND



**CB25MN**

Tábua única de corte HPE para caber em tigelas de raio mínimo, fosca preta, mede 250 x 410 H 12 mm, pode ir à máquina lava-louça



**COL19**

Coador aço inox para encaixar na tigela de raio MÍNIMO mm, mede 200 x 410 x 26 mm



**COL36**

Coador de aço para tigelas de raio mínimo, mede 370 x 410 x 30 mm



**KITFD050**

Eliminação de resíduos 0,5 CV Motor: 1/2 cv Serve para todas as pias com saída de resíduos de 3 1/2"



**KITFD100**

Eliminação de resíduos 1 CV Motor: 1 cv Serve para todas as pias com saída de resíduos de 3 1/2"




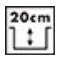

**STABMIX**

estabilizador para misturadores

---

## Symbols glossary

---

-  Largura do armário necessária para a instalação da pia
-  Profundidade da pia - dependendo do modelo, a profundidade pode ser de 13 a 24,5
-  Plana Instalação de produtos com aresta plana.

## Benefit (TT)

---

### **One bowl**

A single bowl for greater adaptability, capacity and space optimisation

### **Drainer**

The drawer allows dishes, cutlery and kitchen utensils to be placed directly on the sink after washing: excess water can drain into the sink, allowing for natural drying

### **Double tap hole**

The sink is easily reversible, making it possible to create any type of kitchen composition

### **Pop-up command**

The pop-up command allows the sink drain to be opened and closed remotely with a simple gesture and without the need to touch the plug directly, increasing convenience and hygiene in the kitchen

### **Tap hole**

Possibility of having the tap hole for direct installation of the tap on the sink, for a larger and neater surface area

### **Waste Kit**

Possibility to install the waste disposal KITFD100 to easily dispose of organic waste, saving time and effort

The waste disposal is the ideal solution for a clean and sustainable kitchen: simple to use and compact, it disposes of food waste directly from the sink, reducing kitchen bad smells and improving hygiene