

LG861D-2

Sink material	Stainless steel
Type	Welded sink
No. of bowls	1
Drainer	Right
EAN code	8017709198503



Aesthetics



Aesthetic	Universal	Logo	Embossed
Serie	Alba	Alternative colours available	No
Colour	Stainless steel	Half bowl cup drainer	No
Acabamento	Escovado	Tap hole / precut tap hole	1 Tap hole
Building in type	Ultra-low profile		

	Bowl type LH	Bowl thickness LH (mm)	Bowl dimensions LH, WxDxA (mm)	LH Bowl depth (mm)	Radius corner left bowl	Overflow LH bowl	Strainer position LH bowl	Strainer dimension LH bowl
LH Bowl	Traditional	0.7	450 x 400 x 210	210	80	Yes, traditional	Side bowl	3.5"

Technical Features

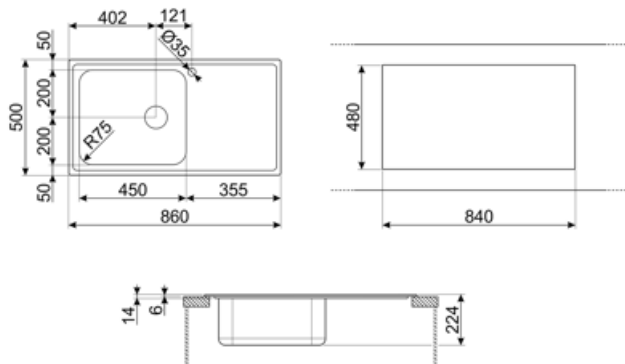


Frame thickness	0,7 mm	Diâmetro do furo da torneira	35 mm
Frame depth (mm)	15	Popup command	No
Dimensions of the product (mm)	220x860x500 mm	Drainer inclination	2 °
Cutout dimension topmount (mm)	840 x 480 mm	Gasket type	Sealing paste
Cutout radius	10 mm	Pre-assembled gasket	No
Height from kitchen top	6 mm	No. of clips	8
Base unit size	60 cm	Type of clips	Standard

Tap hole 1

Accessories Included

Accessories for installation	Strainer, Siphon with dishwasher outlet connection, Fixing clips, Gasket	Basket	No
		Wooden board	No
		White board	No
Colander	No		
Glass board	No		



Compatible Accessories



KITFD050

Eliminação de resíduos 0,5 CV Motor:
1/2 cv Serve para todas as pias com
saída de resíduos de 3 1/2"



KITFD100

Eliminação de resíduos 1 CV Motor: 1 cv
Serve para todas as pias com saída de
resíduos de 3 1/2"



KITFD075

Eliminação de resíduos 0,75 CV Motor:
3/4 CV Adapta-se a todas as pias
com saída de resíduos de 3 1/2"



RND1V

Kit de resíduos Rondò 1 pia com
transbordamento padrão



STABMIX

estabilizador para misturadores

Symbols glossary



Largura do armário necessária para a instalação da pia



Profundidade da pia - dependendo do modelo, a profundidade pode ser de 13 a 24,5



Perfil ultra baixo: Instalação de produto com borda plana - altura de 1 mm.

Benefit (TT)

One bowl

A single bowl for greater adaptability, capacity and space optimisation

Drainer

The drawer allows dishes, cutlery and kitchen utensils to be placed directly on the sink after washing: excess water can drain into the sink, allowing for natural drying

Tap hole

Possibility of having the tap hole for direct installation of the tap on the sink, for a larger and neater surface area