

# LGR861-2

Sink material	Stainless steel
Type	Welded sink
No. of bowls	1
Drainer	Reversible
EAN code	8017709304201



## Aesthetics



Aesthetic	Universale	Building in type	Ultra-low profile
Series	Alba	Logo	Embossed
Colour	Stainless steel	Tap hole / precut tap hole	2 Tapholes
Finishing	Brushed		

	Bowl type LH	Bowl thickness LH (mm)	Bowl dimensions LH, WxDxA (mm)	LH Bowl depth (mm)	Radius corner left bowl	Overflow LH bowl	Strainer position LH bowl	Strainer dimension LH bowl
LH Bowl	Traditional	0.7	450 x 400 x 210	210	80	Yes, traditional	Wall position	3.5"

## Technical Features

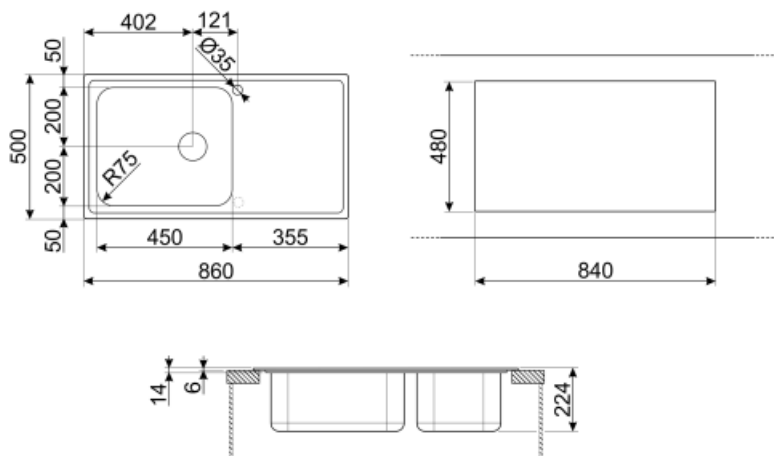


Frame thickness	0,7 mm	Tap hole diameter	35 mm
Frame depth (mm)	15	Popup command	Yes, single
Dimensions of the product (mm)	220x860x500 mm	Popup command type	Round
Cutout dimension topmount (mm)	840 x 480 mm	Drainer inclination	2 °
Height from kitchen top	6 mm	Gasket type	Sealing paste
Base unit size	60 cm	No. of clips	8
Tap hole	2	Type of clips	Standard

## Accessories Included

### Accessories for installation

Strainer, Savespace siphon with dishwasher outlet connection, Fixing clips, Gasket, Automatic pop - up with roudn rotary control



## Not included accessories



### KITFD050

Waste disposal 0,5 HP, Motor: 1/2 horsepower, Fits all sinks with 3 1/2" waste outlet



### DB34

St/steel drain basket to fit STD radius 340 x 400 bowl, 180 mm depth



### COL36

St/steel colander for MINIMUM radius bowls, measures 370 x 410 x 30 mm



### KITFD100

Waste disposal 1 HP, Motor: 1/2 horsepower, Fits all sinks with 3 1/2" waste outlet



### KITSLTRND1

Bowl automatic pop up Rondò waste kit with rectangular overflow and round knob



### 3712

Siphon single bowl sinks (dishwasher connection included)



### STABMIX

Tap stabiliser



### COL19H

St/Steel colander to fit MINIMUM radius mm bowl, measures 200 x 410 x 100 mm



### COL19

St/Steel colander to fit MINIMUM radius mm bowl, measures 200 x 410 x 26 mm



### KITSTR

1 Bowl automatic pop up waste kit with rectangular overflow and round knob



### CB25MN

Single HPE chopping board to fit minimum radius bowls, black matt, measures 250 x 410 H 12 mm, dishwasher safe



### KITFD075

Waste disposal 0,75 HP, Motor: 1/2 horsepower, Fits all sinks with 3 1/2" waste outlet




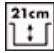


### CB28QU

Single HPL chopping board for minimum radius, oak, measures 280 x 418 H 12 mm

---

## Symbols glossary (TT)

---

- |                                                                                  |                                                                             |                                                                                   |                                                                                                                                             |
|----------------------------------------------------------------------------------|-----------------------------------------------------------------------------|-----------------------------------------------------------------------------------|---------------------------------------------------------------------------------------------------------------------------------------------|
|  | Cupboard width required for sink installation                               |  | Sink depth - depending on the model, the depth can be from 13 to 24,5                                                                       |
|  | Ultra-low profile: Installation of product with flat edge - height of 1 mm. |  | Thanks to the double tap hole, most of our sinks are easily reversible, giving you the flexibility to make any type of kitchen composition. |