

# LLR102-2

Sink material	Stainless steel
Type	Welded sink
No. of bowls	1 + 1/2
Drainer	Reversible
EAN code	8017709200831



## Aesthetics



Aesthetic	Universale	Series	Alba
Colour	Stainless steel	Building in type	Ultra-low profile
Finishing	Brushed	Logo	Embossed

	Bowl type RH	Bowl thickness (mm)	Bowl dimensions, WxDxH (mm)	Bowl depth (mm)	Radius corner right bowl (mm)	Overflow LH bowl	Strainer position	Strainer dimension
RH Bowl	Half bowl	0.7	165 x 300 x 130	130	80		Centre of bowl	3.5"
LH Bowl	Traditional	0.7	340 x 400 x 210	210	80	Yes, traditional	Side bowl	3.5"

## Technical Features

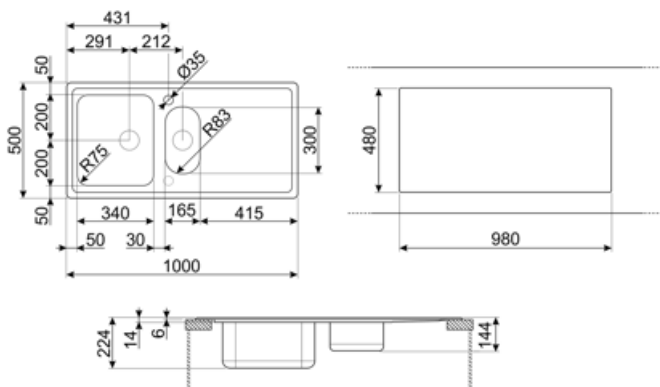


Frame thickness	0,7 mm	Tap hole diameter	35 mm
Frame depth (mm)	18	Popup command	Yes, double
Dimensions of the product (mm)	228x1000x500 mm	Popup command type	Round
Cutout dimension topmount (mm)	980 X 480 mm	Dividing wall width	27,5 mm
Undermount cutout radius	15 mm	Drainer inclination	2 °
Height from kitchen top	6 mm	Gasket type	Sealing paste
Base unit size	60 cm	No. of clips	10
		Type of clips	Standard

## Accessories included

### Accessories for installation

Strainer, Savespace siphon with dishwasher outlet connection, Fixing clips, Gasket, Automatic pop - up with roudn rotary control



## Compatible Accessories



**3713**

Siphon double bowls sinks (dishwasher connection included)



**CB34**

Single wooden chopping board to fit STD radius 340 x 400 mm bowl



**COL19H**

St/Steel colander to fit MINIMUM radius mm bowl, measures 200 x 410 x 100 mm



**KITFD050**

Waste disposal 0,5 HP, Motor: 1/2 horsepower, Fits all sinks with 3 1/2" waste outlet



**KITFD100**

Waste disposal 1 HP, Motor: 1/2 horsepower, Fits all sinks with 3 1/2" waste outlet



**CB25MN**

Single HPE chopping board to fit minimum radius bowls, black matt, measures 250 x 410 H 12 mm, dishwasher safe



**COL19**

St/Steel colander to fit MINIMUM radius mm bowl, measures 200 x 410 x 26 mm



**DB34**

St/steel drain basket to fit STD radius 340 x 400 bowl, 180 mm depth



**KITFD075**

Waste disposal 0,75 HP, Motor: 1/2 horsepower, Fits all sinks with 3 1/2" waste outlet




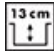
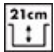


**STABMIX**

Tap stabiliser

---

## Symbols glossary

---

- |                                                                                  |                                                                                                                                             |                                                                                   |                                                                             |
|----------------------------------------------------------------------------------|---------------------------------------------------------------------------------------------------------------------------------------------|-----------------------------------------------------------------------------------|-----------------------------------------------------------------------------|
|  | Cupboard width required for sink installation.                                                                                              |  | Sink depth - depending on the model, the depth can be from 13 to 24,5.      |
|  | Sink depth - depending on the model, the depth can be from 13 to 24,5.                                                                      |  | Ultra-low profile: Installation of product with flat edge - height of 1 mm. |
|  | Thanks to the double tap hole, most of our sinks are easily reversible, giving you the flexibility to make any type of kitchen composition. |                                                                                   |                                                                             |