

LLR116-2

Sink material	Stainless steel
Type	Welded sink
No. of bowls	2
Drainer	Reversible
EAN code	8017709218607



Aesthetics



Aesthetic	Universale	Building in type	Ultra-low profile
Colour	Stainless steel	Logo	Embossed
Finishing	Brushed	Tap hole / precut tap hole	2 Tapholes
Series	Alba		

	Bowl type RH	Bowl thickness (mm)	Bowl dimensions, WxDxH (mm)	Bowl depth (mm)	Radius corner right bowl (mm)	Overflow	Strainer position	Strainer dimension
RH Bowl	Traditional	0.7	340 x 400 x 210	210	80	Yes, traditional	Side bowl	3.5"
LH Bowl	Traditional	0.7	340 x 400 x 210	210	80		Side bowl	3.5"

Technical Features



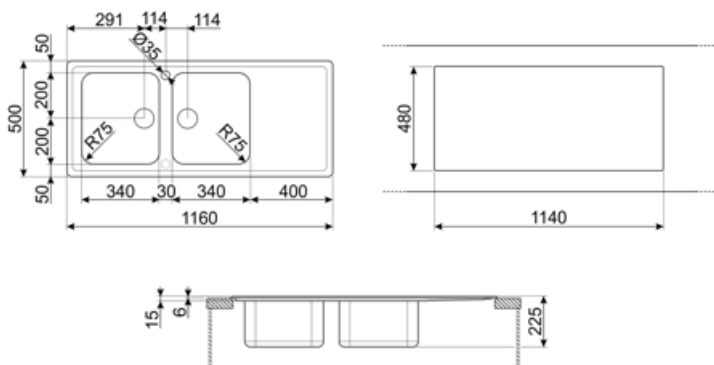
Frame thickness	0,7 mm	Tap hole diameter	35 mm
Frame depth (mm)	15	Popup command	Yes, single
Dimensions of the product (mm)	225x1160x500 mm	Popup command type	Round
Cutout dimension topmount (mm)	1140 x 480 mm	Dividing wall width	30 mm
Undermount cutout radius	15 mm	Drainer inclination	2 °
		Gasket type	Sealing paste
		No. of clips	10
		Type of clips	Standard

Height from kitchen top	6 mm
Base unit size	80 cm
Tap hole	2

Accessories included

Accessories for installation

Strainer, Savespace siphon with dishwasher outlet connection, Fixing clips, Gasket, Automatic pop - up with round rotary control



Compatible Accessories



3713

Siphon double bowls sinks (dishwasher connection included)



CB34

Single wooden chopping board to fit STD radius 340 x 400 mm bowl



COL19H

St/Steel colander to fit MINIMUM radius mm bowl, measures 200 x 410 x 100 mm



KITFD050

Waste disposal 0,5 HP, Motor: 1/2 horsepower, Fits all sinks with 3 1/2" waste outlet



KITFD100

Waste disposal 1 HP, Motor: 1/2 horsepower, Fits all sinks with 3 1/2" waste outlet



CB25MN

Single HPE chopping board to fit minimum radius bowls, black matt, measures 250 x 410 H 12 mm, dishwasher safe



COL19

St/Steel colander to fit MINIMUM radius mm bowl, measures 200 x 410 x 26 mm



DB34

St/steel drain basket to fit STD radius 340 x 400 bowl, 180 mm depth



KITFD075


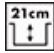


Waste disposal 0,75 HP, Motor: 1/2 horsepower, Fits all sinks with 3 1/2" waste outlet



STABMIX

Tap stabiliser

Symbols glossary

- | | | | |
|--|---|---|---|
|  | Cupboard width required for sink installation. |  | Sink depth - depending on the model, the depth can be from 13 to 24,5. |
|  | Ultra-low profile: Installation of product with flat edge - height of 1 mm. |  | Thanks to the double tap hole, most of our sinks are easily reversible, giving you the flexibility to make any type of kitchen composition. |