

LLR861-2

Sink material	Stainless steel
Type	Welded sink
No. of bowls	1
Drainer	Reversible
EAN code	8017709220990



Aesthetics



Aesthetic	Universale	Building in type	Ultra-low profile
Colour	Stainless steel	Logo	Embossed
Finishing	Brushed	Tap hole / precut tap hole	2 Tapholes
Series	Alba		

	Bowl type LH	Bowl thickness LH (mm)	Bowl dimensions LH, WxDxA (mm)	LH Bowl depth (mm)	Radius corner left bowl	Overflow LH bowl	Strainer position LH bowl	Strainer dimension LH bowl
LH Bowl	Traditional	0.7	340 x 400 x 210	210	80	Yes, traditional	Wall position	3.5"

Technical Features

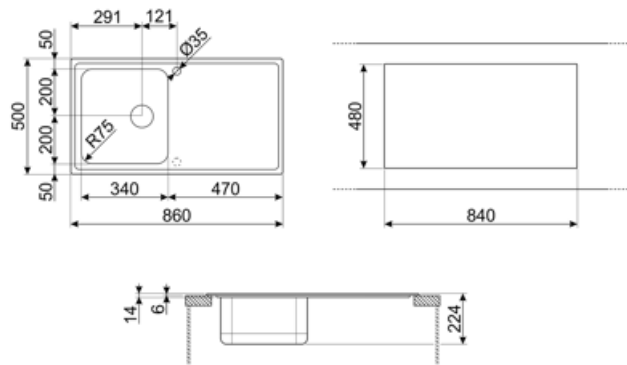


Frame thickness	0,7 mm	Tap hole diameter	35 mm
Frame depth (mm)	16	Popup command	Yes, single
Dimensions of the product (mm)	228x860x500 mm	Popup command type	Round
Cutout dimension topmount (mm)	840 x 480 mm	Drainer inclination	2 °
Undermount cutout radius	15 mm	Gasket type	Sealing paste
Height from kitchen top	6 mm	No. of clips	8
Base unit size	45 cm	Type of clips	Standard
Tap hole	1	Possibility to install waste disposal	Yes

Accessories included

Accessories for installation

Strainer, Savespace siphon with dishwasher outlet connection, Fixing clips, Gasket, Automatic pop - up with roudn rotary control



Compatible Accessories



3712

Siphon single bowl sinks (dishwasher connection included)



CB34

Single wooden chopping board to fit STD radius 340 x 400 mm bowl



COL19H

St/Steel colander to fit MINIMUM radius mm bowl, measures 200 x 410 x 100 mm



KITFD050

Waste disposal 0,5 HP, Motor: 1/2 horsepower, Fits all sinks with 3 1/2" waste outlet



KITFD100

Waste disposal 1 HP, Motor: 1/2 horsepower, Fits all sinks with 3 1/2" waste outlet



KITSTR

1 Bowl automatic pop up waste kit with rectangular overflow and round knob



CB25MN

Single HPE chopping board to fit minimum radius bowls, black matt, measures 250 x 410 H 12 mm, dishwasher safe



COL19

St/Steel colander to fit MINIMUM radius mm bowl, measures 200 x 410 x 26 mm



DB34

St/steel drain basket to fit STD radius 340 x 400 bowl, 180 mm depth



KITFD075

Waste disposal 0,75 HP, Motor: 1/2 horsepower, Fits all sinks with 3 1/2" waste outlet



KITSLTRND1


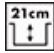


Bowl automatic pop up Rondò waste kit with rectangular overflow and round knob



STABMIX

Tap stabiliser

Symbols glossary

- | | | | |
|--|---|---|---|
|  | Cupboard width required for sink installation. |  | Sink depth - depending on the model, the depth can be from 13 to 24,5. |
|  | Ultra-low profile: Installation of product with flat edge - height of 1 mm. |  | Thanks to the double tap hole, most of our sinks are easily reversible, giving you the flexibility to make any type of kitchen composition. |