

LLR862-2

Sink material Stainless steel
Type Welded sink
No. of bowls 2
EAN code 8017709282424



Aesthetics



Aesthetic Universale
Colour Stainless steel
Finishing Brushed
Series Alba
Building in type Ultra-low profile
Logo Embossed
Tap hole / precut tap hole 2 Tapholes

	Bowl type RH	Bowl thickness (mm)	Bowl dimensions, WxDxH (mm)	Bowl depth (mm)	Radius corner right bowl (mm)	Overflow	Strainer position	Strainer dimension
RH Bowl	Traditional	0.7	340 x 400 x 210	210	80	Yes, traditional	Wall position	3.5"
LH Bowl	Traditional	0.7	340 x 400 x 210	210	80		Wall position	3.5"

Technical Features



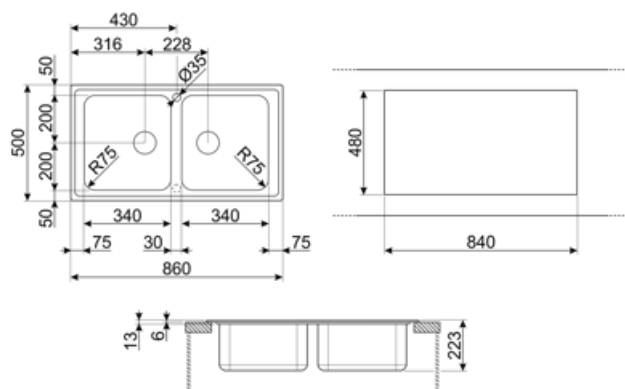
Frame thickness 0.7 mm
Frame depth (mm) 15
Dimensions of the product (mm) 225x860x500 mm
Cutout dimension topmount (mm) 840 x 480 mm
Undermount cutout radius 10 mm
Tap hole 2
Tap hole diameter 35 mm
Popup command Yes, double
Dividing wall width 40 mm
Gasket type Sealing paste
No. of clips 8
Type of clips Standard

Height from kitchen top 6 mm
Base unit size 90 cm

Accessories included

Accessories for installation

Strainer, Savespace siphon with dishwasher outlet connection, Fixing clips, Gasket, Automatic pop - up with round rotary control



Compatible Accessories



3713

Siphon double bowls sinks (dishwasher connection included)



CB34

Single wooden chopping board to fit STD radius 340 x 400 mm bowl



COL19H

St/Steel colander to fit MINIMUM radius mm bowl, measures 200 x 410 x 100 mm



KITFD050

Waste disposal 0,5 HP, Motor: 1/2 horsepower, Fits all sinks with 3 1/2" waste outlet



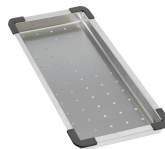
KITFD100

Waste disposal 1 HP, Motor: 1/2 horsepower, Fits all sinks with 3 1/2" waste outlet



CB25MN

Single HPE chopping board to fit minimum radius bowls, black matt, measures 250 x 410 H 12 mm, dishwasher safe



COL19

St/Steel colander to fit MINIMUM radius mm bowl, measures 200 x 410 x 26 mm



DB34

St/steel drain basket to fit STD radius 340 x 400 bowl, 180 mm depth



KITFD075

Waste disposal 0,75 HP, Motor: 1/2 horsepower, Fits all sinks with 3 1/2" waste outlet



STABMIX

Tap stabiliser

Symbols glossary



Cupboard width required for sink installation.



Sink depth - depending on the model, the depth can be from 13 to 24,5.



Ultra-low profile: Installation of product with flat edge - height of 1 mm.