

# LLR862-2

Sink material	Stainless steel
Type	Welded sink
No. of bowls	2
EAN code	8017709282424



## Aesthetics



Serie	Alba	Building in type	Ultra-low profile
Aesthetic	Universale	Logo	Embossed
Colour	Stainless steel	Tap hole / precut tap hole	2 Tapholes
Finishing	Brushed		

	Bowl type RH	Bowl thickness (mm)	Bowl dimensions, WxDxH (mm)	Bowl depth (mm)	Radius corner right bowl (mm)	Overflow	Strainer position	Strainer dimension
RH Bowl	Traditional	0.7	340 x 400 x 210	210	80	Yes, traditional	Wall position	3.5"
LH Bowl	Traditional	0.7	340 x 400 x 210	210	80		Wall position	3.5"

## Technical Features



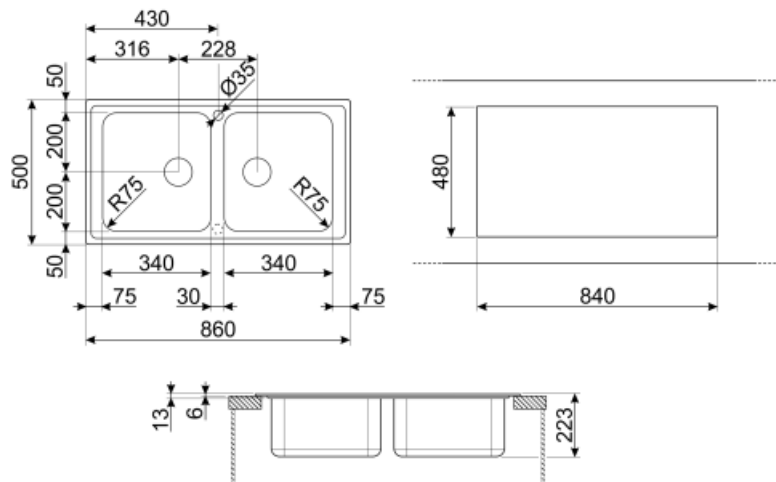
Frame thickness	0.7 mm	Tap hole	2
Frame depth (mm)	15	Tap hole diameter	35 mm
Dimensions of the product (mm)	225x860x500 mm	Popup command	Yes, double
Cutout dimension topmount (mm)	840 x 480 mm	Dividing wall width	40 mm
Undermount cutout radius	10 mm	Gasket type	Sealing paste
		No. of clips	8
		Type of clips	Standard

Height from kitchen top 6 mm  
 Base unit size 90 cm

## Accessories Included

Accessories for installation

Strainer, Savespace siphon with dishwasher outlet connection, Fixing clips, Gasket, Automatic pop - up with round rotary control



## Not included accessories



### KITFD050

Waste disposal 0,5 HP, Motor: 1/2 horsepower, Fits all sinks with 3 1/2" waste outlet



### KITFD100

Waste disposal 1 HP, Motor: 1/2 horsepower, Fits all sinks with 3 1/2" waste outlet



### STABMIX

Tap stabiliser



### DB34

St/steel drain basket to fit STD radius 340 x 400 bowl, 180 mm depth



### 3713

Siphon double bowls sinks (dishwasher connection included)



### COL19H

St/Steel colander to fit MINIMUM radius mm bowl, measures 200 x 410 x 100 mm



### COL19

St/Steel colander to fit MINIMUM radius mm bowl, measures 200 x 410 x 26 mm



### CB34

Single wooden chopping board to fit STD radius 340 x 400 mm bowl



### CB25MN

Single HPE chopping board to fit minimum radius bowls, black matt, measures 250 x 410 H 12 mm, dishwasher safe



### KITFD075

Waste disposal 0,75 HP, Motor: 1/2 horsepower, Fits all sinks with 3 1/2" waste outlet



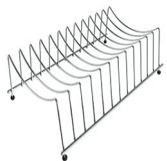
### KITSLTRND2

2 Bowls automatic Rondò pop up waste kit with rectangular overflow and round knob



### KITFD050UK

Waste disposal 0,5 HP, Motor: 1/2 horsepower, Fits all sinks with 3 1/2" waste outlet, UK


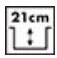



### COLPTX

Draining rack base 300 x 185 x 82 mm

## Symbols glossary (TT)

---

- |  |   |   |   |
|--|---|---|---|
|  | Cupboard width required for sink installation                               |  | Sink depth - depending on the model, the depth can be from 13 to 24,5 |
|  | Ultra-low profile: Installation of product with flat edge - height of 1 mm. |   |   |