

LMN1VBD

Sink material	Glass with st/steel bowls
Type	Glass/steel hybrid sink
No. of bowls	1
Drainer	Right
EAN code	8017709161217



Aesthetics



Aesthetic	Marc Newson	Logo	Silk screen
Colour	Stainless steel	Alternative colours available	Black
Acabamento	White	Half bowl cup drainer	No
Building in type	Standard	Tap hole / precut tap hole	1 Tap hole

	Bowl type LH	Bowl thickness LH (mm)	Bowl dimensions LH, WxDxA (mm)	LH Bowl depth (mm)	Radius corner left bowl	Overflow LH bowl	Strainer position LH bowl	Strainer dimension LH bowl
LH Bowl	Minimum radius	1	340 x 400 x 200	200	15	Yes, flush fitted	Wall position	3.5"

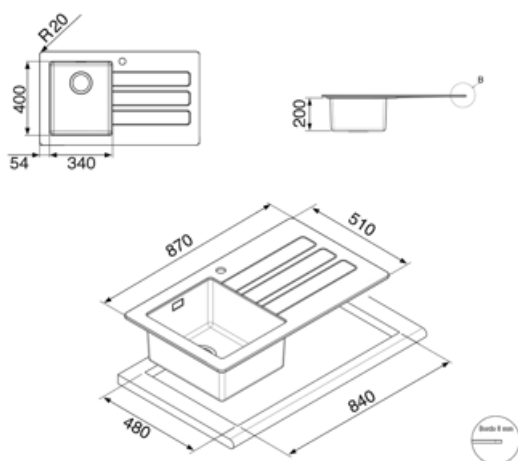
Technical Features



Glass thickness	8 mm	Tap hole	1
Dimensions of the product (mm)	210x870x510 mm	Popup command	No
Cutout dimension topmount (mm)	840 x 480 mm	Gasket type	Silicon
Cutout radius	10 mm	Pre-assembled gasket	No
Height from kitchen top	10 mm	No. of clips	12
Base unit size	60 cm	Type of clips	Standard

Accessories Included

Accessories for installation	Strainer, Siphon with dishwasher outlet connection, Fixing clips, Gasket	Basket	No
		Wooden board	No
		White board	No
Colander	No		
Glass board	No		



Compatible Accessories



DB34

Cesto de fio inox para acoplar às pias com dimensões de 340*400 mm



KITFD075

Eliminação de resíduos 0,75 CV Motor: 3/4 CV Adapta-se a todas as pias com saída de resíduos de 3 1/2"



KITSLTRND1

Pop automático (botão redondo) 1 bacia fio e transbordo padrão kit de resíduos RND



KITFD050

Eliminação de resíduos 0,5 CV Motor: 1/2 cv Serve para todas as pias com saída de resíduos de 3 1/2"



KITFD100

Eliminação de resíduos 1 CV Motor: 1 cv Serve para todas as pias com saída de resíduos de 3 1/2"

Symbols glossary



Largura do armário necessária para a instalação da pia



Profundidade da pia - dependendo do modelo, a profundidade pode ser de 13 a 24,5



Instalação padrão: Instalação tradicional em tampo de mesa, adequado para qualquer conjunto de cozinha

Benefit (TT)

One bowl

A single bowl for greater adaptability, capacity and space optimisation

Drainer

The drawer allows dishes, cutlery and kitchen utensils to be placed directly on the sink after washing: excess water can drain into the sink, allowing for natural drying

Tap hole

Possibility of having the tap hole for direct installation of the tap on the sink, for a larger and neater surface area