

LPD861S

Sink material	Stainless steel
Type	Welded sink
No. of bowls	1
Drainer	Left
EAN code	8017709076429



Aesthetics



Aesthetic	Piano Design	Logo	Embossed
Colour	Stainless steel	Alternative colours available	No
Acabamento	Brilhante	Half bowl cup drainer	No
Building in type	Standard	Tap hole / precut tap hole	1 Tap hole

	Bowl type RH	Bowl thickness (mm)	Bowl dimensions, WxDxH (mm)	Bowl depth (mm)	Radius corner right bowl (mm)	Overflow	Strainer position	Strainer dimension
RH Bowl	Traditional	0.7	340 x 400 x 210	210	80	Yes, traditional	Side bowl	3.5"

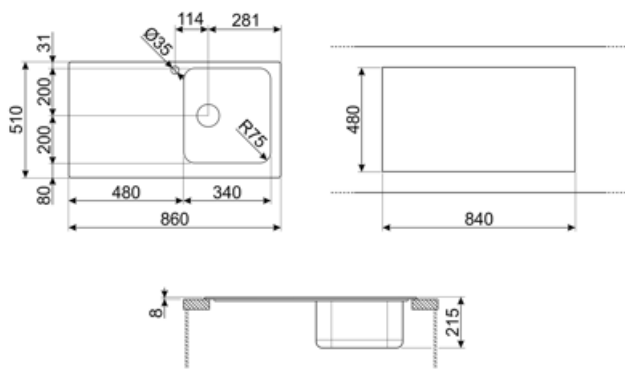
Technical Features



Frame thickness	0,7 mm	Tap hole	1
Frame depth (mm)	5	Popup command	No
Dimensions of the product (mm)	215x860x510 mm	Drainer inclination	2 °
Cutout dimension topmount (mm)	840 x 480 mm	Gasket type	Sealing paste
Cutout radius	5 mm	Pre-assembled gasket	No
Height from kitchen top	8 mm	No. of clips	8
Base unit size	45 cm	Type of clips	Standard

Accessories Included

Accessories for installation	Strainer, Siphon with dishwasher outlet connection, Fixing clips, Gasket	Basket	No
		Wooden board	No
		White board	No
Colander	No		
Glass board	No		



Compatible Accessories



CB34

Tábua de cortar única de madeira dura para caber sobre pia de 340 x 400 mm



KITFD050

Eliminação de resíduos 0,5 CV Motor: 1/2 cv Serve para todas as pias com saída de resíduos de 3 1/2"



KITFD100

Eliminação de resíduos 1 CV Motor: 1 cv Serve para todas as pias com saída de resíduos de 3 1/2"



DB34

Cesto de fio inox para acoplar às pias com dimensões de 340*400 mm



KITFD075




Eliminação de resíduos 0,75 CV Motor: 3/4 CV Adapta-se a todas as pias com saída de resíduos de 3 1/2"



STABMIX

estabilizador para misturadores

Symbols glossary

-  Largura do armário necessária para a instalação da pia
-  Profundidade da pia - dependendo do modelo, a profundidade pode ser de 13 a 24,5
-  Instalação padrão: Instalação tradicional em tampo de mesa, adequado para qualquer conjunto de cozinha

Benefit (TT)

One bowl

A single bowl for greater adaptability, capacity and space optimisation

Drainer

The drawer allows dishes, cutlery and kitchen utensils to be placed directly on the sink after washing: excess water can drain into the sink, allowing for natural drying

Tap hole

Possibility of having the tap hole for direct installation of the tap on the sink, for a larger and neater surface area