

# LPR102

Sink material	Stainless steel
Type	Welded sink
No. of bowls	1 + 1/2
Drainer	Reversible
EAN code	8017709304683



## Aesthetics



Aesthetic	Universale	Building in type	Ultra-low profile
Colour	Stainless steel	Logo	Embossed
Finishing	Brushed	Tap hole / precut tap hole	2 Tapholes
Series	Aurora		

	Bowl type RH	Bowl thickness (mm)	Bowl dimensions, WxDxH (mm)	Bowl depth (mm)	Radius corner right bowl (mm)	Overflow LH bowl	Strainer position	Strainer dimension
RH Bowl	Half bowl	0.7	165 x 300 x 130	130	80		Centre of bowl	3.5"
LH Bowl	Traditional	0.6	340 x 400 x 180	180	80	Yes, traditional	Side bowl	3.5"

## Technical Features

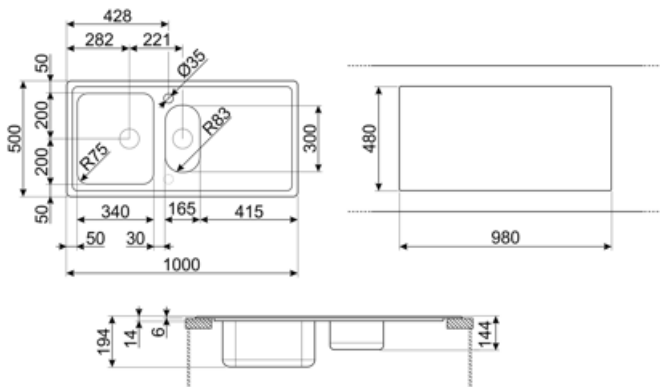


Frame thickness	0,6 mm	Tap hole diameter	35 mm
Frame depth (mm)	13	Dividing wall width	30 mm
Dimensions of the product (mm)	193x1000x500 mm	Drainer inclination	2 °
Cutout dimension topmount (mm)	980 X 480 mm	Gasket type	Sealing paste
Height from kitchen top	6 mm	No. of clips	10
Base unit size	60 cm	Type of clips	Standard

## Accessories included

### Accessories for installation

Strainer, Savespace siphon with dishwasher outlet connection, Fixing clips, Gasket, Blanking cap



## Compatible Accessories



**3713**

Siphon double bowls sinks (dishwasher connection included)



**COL19**

St/Steel colander to fit MINIMUM radius mm bowl, measures 200 x 410 x 26 mm



**DB34**

St/steel drain basket to fit STD radius 340 x 400 bowl, 180 mm depth



**KITDSQ**

Soap dispenser chrome finishing with square knob 40x40 mm



**KITFD075**

Waste disposal 0,75 HP, Motor: 1/2 horsepower, Fits all sinks with 3 1/2" waste outlet



**STABMIX**

Tap stabiliser



**CB25MN**

Single HPE chopping board to fit minimum radius bowls, black matt, measures 250 x 410 H 12 mm, dishwasher safe



**COL19H**

St/Steel colander to fit MINIMUM radius mm bowl, measures 200 x 410 x 100 mm



**KITDS**

Soap dispenser chrome finishing with round knob



**KITFD050**

Waste disposal 0,5 HP, Motor: 1/2 horsepower, Fits all sinks with 3 1/2" waste outlet



**KITFD100**

Waste disposal 1 HP, Motor: 1/2 horsepower, Fits all sinks with 3 1/2" waste outlet

---

## Symbols glossary

---



Cupboard width required for sink installation.



Sink depth - depending on the model, the depth can be from 13 to 24,5.



Sink depth - depending on the model, the depth can be from 13 to 24,5.



Ultra-low profile: Installation of product with flat edge - height of 1 mm.



Thanks to the double tap hole, most of our sinks are easily reversible, giving you the flexibility to make any type of kitchen composition.