

LPR116

Sink material	Stainless steel
Type	Welded sink
No. of bowls	2
Drainer	Reversible
EAN code	8017709304690



Aesthetics



Serie	Aurora	Building in type	Ultra-low profile
Aesthetic	Universale	Logo	Embossed
Color	Stainless steel	Tap hole / precut tap hole	2 Tapholes
Finishing	Brushed		

	Bowl type RH	Bowl thickness (mm)	Bowl dimensions, WxDxH (mm)	Bowl depth (mm)	Radius corner right bowl (mm)	Overflow	Strainer position	Strainer dimension
RH Bowl	Traditional	0.6	340 x 400 x 180	180	80	Yes, traditional	Side bowl	3.5"
LH Bowl	Traditional	0.6	340 x 400 x 180	180	80		Side bowl	3.5"

Technical Features



Frame thickness	0.6 mm	Tap hole diameter	35 mm
Frame depth (mm)	15	Dividing wall width	30 mm
Dimensions of the product (mm)	195x1160x500 mm	Drainer inclination	2 °
Cutout dimension topmount (mm)	1140 x 480 mm	Gasket type	Sealing paste
Height from kitchen top	6 mm	No. of clips	10
Base unit size	80 cm	Type of clips	Standard

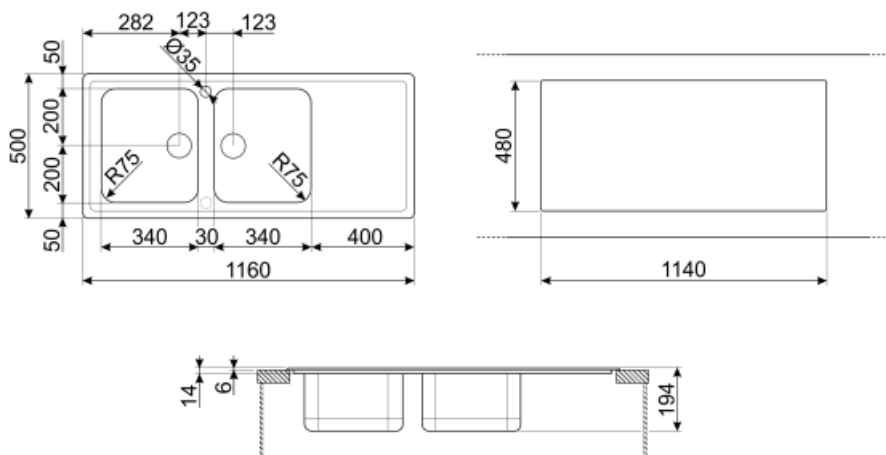
Tap hole

2

Accessories Included

Accessories for installation

Strainer, Savespace siphon with dishwasher outlet connection, Fixing clips, Gasket, Blanking cap



Not included accessories



KITFD050

Waste disposal 0,5 HP, Motor: 1/2 horsepower, Fits all sinks with 3 1/2" waste outlet



KITFD100

Waste disposal 1 HP, Motor: 1/2 horsepower, Fits all sinks with 3 1/2" waste outlet



STABMIX

Tap stabiliser



COL19

St/Steel colander to fit MINIMUM radius mm bowl, measures 200 x 410 x 26 mm



KITDSCOT

Soap dispenser brass finishing charging from top side



KITDSQ

Soap dispenser chrome finishing with square knob 40x40 mm



KITFD075

Waste disposal 0,75 HP, Motor: 1/2 horsepower, Fits all sinks with 3 1/2" waste outlet



KITFD050UK

Waste disposal 0,5 HP, Motor: 1/2 horsepower, Fits all sinks with 3 1/2" waste outlet, UK



DB34

St/steel drain basket to fit STD radius 340 x 400 bowl, 180 mm depth



3713

Siphon double bowls sinks (dishwasher connection included)



COL19H

St/Steel colander to fit MINIMUM radius mm bowl, measures 200 x 410 x 100 mm



CB34

Single wooden chopping board to fit STD radius 340 x 400 mm bowl



KITDS

Soap dispenser chrome finishing with round knob



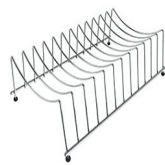
CB25MN

Single HPE chopping board to fit minimum radius bowls, black matt, measures 250 x 410 H 12 mm, dishwasher safe



KITSLTRND2


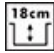


2 Bowls automatic Rondò pop up waste kit with rectangular overflow and round knob



COLPTX

Draining rack base 300 x 185 x 82 mm

Symbols glossary (TT)

- | | | | |
|--|---|---|---|
|  | Cupboard width required for sink installation |  | Sink depth - depending on the model, the depth can be from 13 to 24,5 |
|  | Ultra-low profile: Installation of product with flat edge - height of 1 mm. |  | Thanks to the double tap hole, most of our sinks are easily reversible, giving you the flexibility to make any type of kitchen composition. |