

# LPR116SA

Sink material	Stainless steel
Type	Welded sink
No. of bowls	2
Drainer	Reversible
EAN code	8017709342302



## Aesthetics



<b>Aesthetic</b>	Universale	<b>Building in type</b>	Ultra-low profile
<b>Series</b>	Aurora	<b>Logo</b>	Embossed
<b>Colour</b>	Stainless steel	<b>Tap hole / precut tap hole</b>	No Taphole
<b>Finishing</b>	Brushed		

	Bowl type RH	Bowl thickness (mm)	Bowl dimensions, WxDxH (mm)	Bowl depth (mm)	Radius corner right bowl (mm)	Overflow	Strainer position	Strainer dimension
RH Bowl	Traditional	0.6	340 x 400 x 180	180	80	Yes, traditional	Side bowl	3.5"
LH Bowl	Traditional	0.6	340 x 400 x 180	180	80		Side bowl	3.5"

## Technical Features

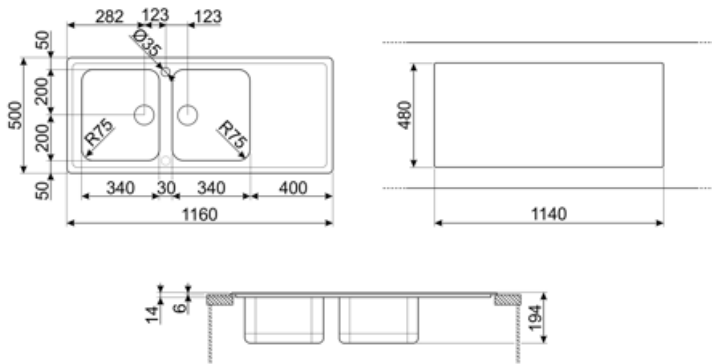


<b>Frame thickness</b>	0,6 mm	<b>Dividing wall width</b>	30 mm
<b>Frame depth (mm)</b>	15	<b>Drainer inclination</b>	2°
<b>Dimensions of the product (mm)</b>	195x1160x500 mm	<b>Gasket type</b>	Sealing paste
<b>Cutout dimension topmount (mm)</b>	1140 x 480 mm	<b>No. of clips</b>	10
<b>Height from kitchen top</b>	6 mm	<b>Type of clips</b>	Standard
<b>Base unit size</b>	80 cm	<b>Possibility to install waste disposal</b>	Yes

## Accessories Included

Accessories for installation

Strainer, Savespace siphon with dishwasher outlet connection, Fixing clips, Gasket



---

## Not included accessories

---



### KITFD050

Waste disposal 0,5 HP, Motor: 1/2 horsepower, Fits all sinks with 3 1/2" waste outlet



### KITFD100

Waste disposal 1 HP, Motor: 1/2 horsepower, Fits all sinks with 3 1/2" waste outlet



### STABMIX

Tap stabiliser




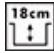


### KITFD075

Waste disposal 0,75 HP, Motor: 1/2 horsepower, Fits all sinks with 3 1/2" waste outlet

---

## Symbols glossary (TT)

---

- |  |   |   |   |
|--|---|---|---|
|  | Cupboard width required for sink installation                               |  | Sink depth - depending on the model, the depth can be from 13 to 24,5   |
|  | Ultra-low profile: Installation of product with flat edge - height of 1 mm. |  | Thanks to the double tap hole, most of our sinks are easily reversible, giving you the flexibility to make any type of kitchen composition. |

## Benefit (TT)

---

### Two bowls

Two bowls for greater versatility and dual functionality

### Drainer

The drawer allows dishes, cutlery and kitchen utensils to be placed directly on the sink after washing: excess water can drain into the sink, allowing for natural drying

### Waste Kit

Possibility to install the waste disposal KITFD100 to easily dispose of organic waste, saving time and effort

The waste disposal is the ideal solution for a clean and sustainable kitchen: simple to use and compact, it disposes of food waste directly from the sink, reducing kitchen bad smells and improving hygiene