

# LPR116SA

Sink material	Stainless steel
Type	Welded sink
No. of bowls	2
Drainer	Reversible
EAN code	8017709342302



## Aesthetics



Aesthetic	Universal	Logo	Embossed
Serie	Aurora	Alternative colours available	No
Colour	Stainless steel	Half bowl cup drainer	No
Acabamento	Escovado	Tap hole / precut tap hole	No Taphole
Building in type	Ultra-low profile		

	Bowl type RH	Bowl thickness (mm)	Bowl dimensions, WxDxH (mm)	Bowl depth (mm)	Radius corner right bowl (mm)	Overflow	Strainer position	Strainer dimension
RH Bowl	Traditional	0.6	340 x 400 x 180	180	80	Yes, traditional	Side bowl	3.5"
LH Bowl	Traditional	0.6	340 x 400 x 180	180	80	No	Side bowl	3.5"

## Technical Features

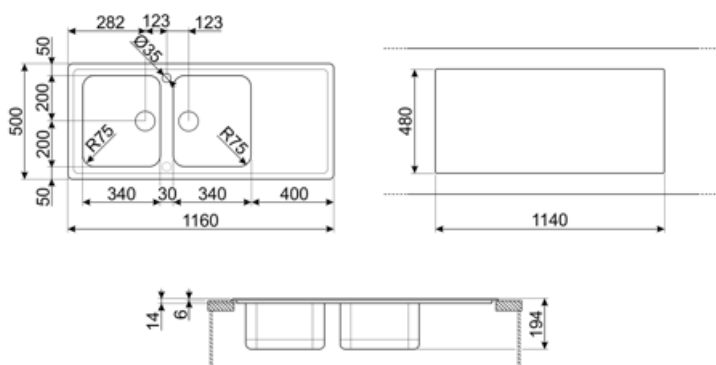


Frame thickness	0,6 mm	Dividing wall width	30 mm
Frame depth (mm)	15	Drainer inclination	2 °
Dimensions of the product (mm)	195x1160x500 mm	Gasket type	Sealing paste
Cutout dimension topmount (mm)	1140 x 480 mm	Pre-assembled gasket	No
Height from kitchen top	6 mm	No. of clips	10
		Type of clips	Standard

Base unit size	80 cm	Popup command	Yes, single
Tap hole	No		
Popup command	No		

## Accessories Included

Accessories for installation	Strainer, Siphon with dishwasher outlet connection, Fixing clips, Gasket	Wooden board	No
Colander	No	Tábua de cortar HPL preta	No
Rondò Cover waste kit	No	Tábua de corte de carvalho HPL	No
Glass board	No	White board	No
Basket	No		



---

## Compatible Accessories

---



### KITFD050

Eliminação de resíduos 0,5 CV Motor:  
1/2 cv Serve para todas as pias com  
saída de resíduos de 3 1/2"



### KITFD100

Eliminação de resíduos 1 CV Motor: 1 cv  
Serve para todas as pias com saída de  
resíduos de 3 1/2"



### KITFD075

Eliminação de resíduos 0,75 CV Motor:  
3/4 CV Adapta-se a todas as pias  
com saída de resíduos de 3 1/2"




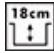


### STABMIX

estabilizador para misturadores

---

## Symbols glossary

---

- |  |   |   |   |
|--|---|---|---|
|  | Largura do armário necessária para a instalação da pia                      |  | Profundidade da pia - dependendo do modelo, a profundidade pode ser de 13 a 24,5  |
|  | Perfil ultra baixo: Instalação de produto com borda plana - altura de 1 mm. |  | Graças ao furo duplo para torneira, a maioria de nossas pias são facilmente reversíveis, dando-lhe a flexibilidade de fazer qualquer tipo de composição de cozinha. |

## Benefit (TT)

---

### Two bowls

Two bowls for greater versatility and dual functionality

### Drainer

The drawer allows dishes, cutlery and kitchen utensils to be placed directly on the sink after washing: excess water can drain into the sink, allowing for natural drying

### Waste Kit

Possibility to install the waste disposal KITFD100 to easily dispose of organic waste, saving time and effort

The waste disposal is the ideal solution for a clean and sustainable kitchen: simple to use and compact, it disposes of food waste directly from the sink, reducing kitchen bad smells and improving hygiene