

LPR862

| | |
|---------------|-----------------|
| Sink material | Stainless steel |
| Type | Welded sink |
| No. of bowls | 2 |
| EAN code | 8017709304713 |



Aesthetics



| | | | |
|------------------|-----------------|-----------------------------------|-------------------|
| Aesthetic | Universale | Building in type | Ultra-low profile |
| Colour | Stainless steel | Logo | Embossed |
| Finishing | Brushed | Tap hole / precut tap hole | 2 Tapholes |
| Series | Aurora | | |

| | Bowl type RH | Bowl thickness (mm) | Bowl dimensions, WxDxH (mm) | Bowl depth (mm) | Radius corner right bowl (mm) | Overflow | Strainer position | Strainer dimension |
|---------|--------------|---------------------|-----------------------------|-----------------|-------------------------------|------------------|-------------------|--------------------|
| RH Bowl | Traditional | 0.6 | 340 x 400 x 180 | 180 | 80 | Yes, traditional | Side bowl | 3.5" |
| LH Bowl | Traditional | 0.6 | 340 x 400 x 180 | 180 | 80 | | Side bowl | 3.5" |

Technical Features

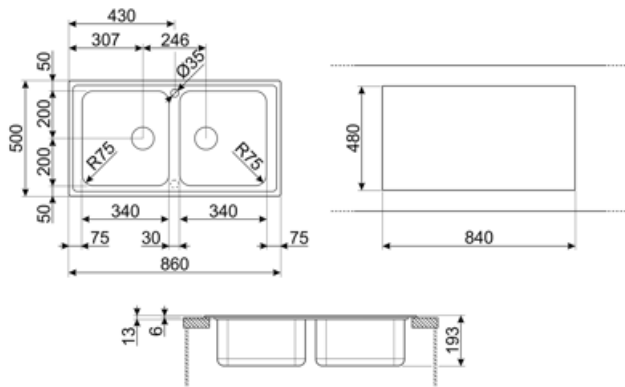


| | | | |
|---------------------------------------|----------------|----------------------------|---------------|
| Frame thickness | 0.6 mm | Tap hole | 2 |
| Frame depth (mm) | 13 | Tap hole diameter | 35 mm |
| Dimensions of the product (mm) | 193x860x500 mm | Dividing wall width | 30 mm |
| Cutout dimension topmount (mm) | 840 x 480 mm | Gasket type | Sealing paste |
| Height from kitchen top | 6 mm | No. of clips | 8 |
| Base unit size | 90 cm | Type of clips | Standard |

Accessories included

Accessories for installation

Strainer, Savespace siphon with dishwasher outlet connection, Fixing clips, Gasket, Blanking cap



Compatible Accessories



3713

Siphon double bowls sinks (dishwasher connection included)



CB34

Single wooden chopping board to fit STD radius 340 x 400 mm bowl



COL19H

St/Steel colander to fit MINIMUM radius mm bowl, measures 200 x 410 x 100 mm



KITDS

Soap dispenser chrome finishing with round knob



KITFD050

Waste disposal 0,5 HP, Motor: 1/2 horsepower, Fits all sinks with 3 1/2" waste outlet



KITFD100

Waste disposal 1 HP, Motor: 1/2 horsepower, Fits all sinks with 3 1/2" waste outlet



CB25MN

Single HPE chopping board to fit minimum radius bowls, black matt, measures 250 x 410 H 12 mm, dishwasher safe



COL19

St/Steel colander to fit MINIMUM radius mm bowl, measures 200 x 410 x 26 mm



DB34

St/steel drain basket to fit STD radius 340 x 400 bowl, 180 mm depth



KITDSQ

Soap dispenser chrome finishing with square knob 40x40 mm



KITFD075

Waste disposal 0,75 HP, Motor: 1/2 horsepower, Fits all sinks with 3 1/2" waste outlet



STABMIX

Tap stabiliser

Symbols glossary



Cupboard width required for sink installation.



Sink depth - depending on the model, the depth can be from 13 to 24,5.



Ultra-low profile: Installation of product with flat edge - height of 1 mm.