

LQR116F-2

Sink material	Stainless steel
Type	Squared sink
No. of bowls	2
Drainer	Reversible
EAN code	8017709137434



Aesthetics



Aesthetic	Universal	Logo	Embossed
Serie	Quadra	Alternative colours available	No
Colour	Stainless steel	Half bowl cup drainer	No
Acabamento	Satin	Tap hole / precut tap hole	2 Tapholes
Building in type	Flush fitted, Flat		

	Bowl type RH	Bowl thickness (mm)	Bowl dimensions, WxDxH (mm)	Bowl depth (mm)	Overflow	Strainer position	Strainer dimension
RH Bowl	Squared	1	350 x 400 x 215	215	Yes, traditional	Side bowl	3.5"
LH Bowl	Squared	1	350 x 400 x 215	215	No	Side bowl	3.5"

Technical Features

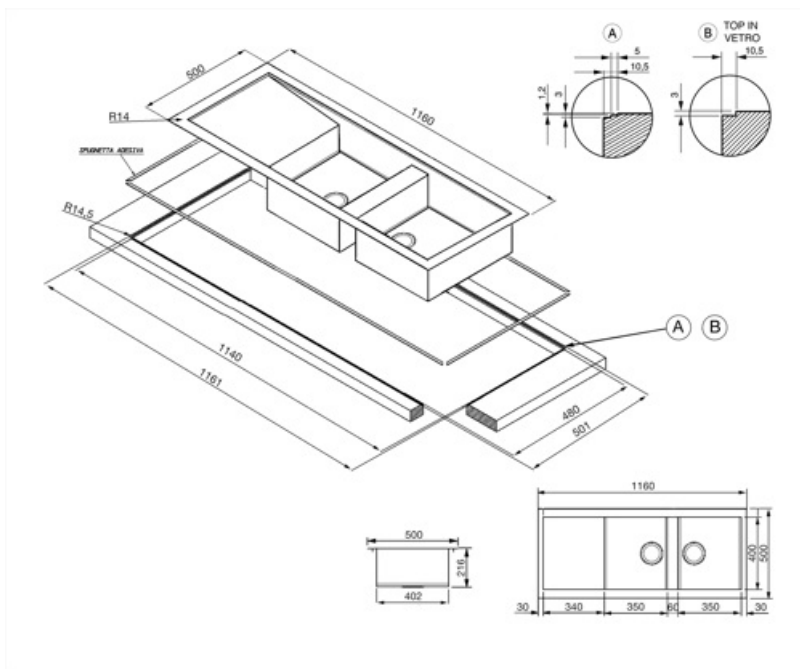


Frame thickness	1 mm	Popup command type	Squared
Frame depth (mm)	15	Dividing wall width	60 mm
Dimensions of the product (mm)	215x1160x500 mm	Drainer inclination	2 °
Cutout dimension topmount (mm)	1140 x 480 mm	Gasket type	Sealing paste
Cutout radius	5 mm	Pre-assembled gasket	No
		No. of clips	12

Base unit size	90 cm	Type of clips	Standard
Tap hole	2		
Popup command	Yes, double		

Accessories Included

Accessories for installation	Strainer, Siphon with dishwasher outlet connection, Fixing clips, Gasket, Automatic Pop-UP	Basket	No
		Wooden board	No
		White board	No
Colander	No		
Glass board	No		



Compatible Accessories



KITFD050

Eliminação de resíduos 0,5 CV Motor:
1/2 cv Serve para todas as pias com
saída de resíduos de 3 1/2"



KITFD100

Eliminação de resíduos 1 CV Motor: 1 cv
Serve para todas as pias com saída de
resíduos de 3 1/2"



STABMIX

estabilizador para misturadores



KITFD075

Eliminação de resíduos 0,75 CV Motor:
3/4 CV Adapta-se a todas as pias
com saída de resíduos de 3 1/2"



KITSLTRND2






Pop automático (botão redondo) 2
pias fio e transbordo padrão kit de
resíduos RND



VSH20Q

ESCORREDOR PARA PIAS
QUADRADAS

Symbols glossary

- | | | | |
|--|---|---|--|
|  | Largura do armário necessária para a instalação da pia |  | Profundidade da pia - dependendo do modelo, a profundidade pode ser de 13 a 24,5 |
|  | Plana Instalação de produtos com aresta plana. |  | Instalação embutida: Modelos de pias/fogões que são integrados nivelados com a mesa de uma unidade de cozinha. |
|  | Graças ao furo duplo para torneira, a maioria de nossas pias são facilmente reversíveis, dando-lhe a flexibilidade de fazer qualquer tipo de composição de cozinha. | | |

Benefit (TT)

Two bowls

Two bowls for greater versatility and dual functionality

Drainer

The drawer allows dishes, cutlery and kitchen utensils to be placed directly on the sink after washing: excess water can drain into the sink, allowing for natural drying

Double tap hole

The sink is easily reversible, making it possible to create any type of kitchen composition

Pop-up command

The pop-up command allows the sink drain to be opened and closed remotely with a simple gesture and without the need to touch the plug directly, increasing convenience and hygiene in the kitchen

Tap hole

Possibility of having the tap hole for direct installation of the tap on the sink, for a larger and neater surface area