

# LRX9015S

Sink material	Stainless steel
Sink type	Welded
No. of bowls	1 + 3/4
Drainer	Left
EAN code	8017709208929



## Aesthetics



<b>Aesthetics</b>	Linea	<b>Logo</b>	Embossed
<b>Colour</b>	Stainless steel	<b>Half bowl cup drainer</b>	Yes
<b>Finishing</b>	Brushed	<b>Tap hole / precut tap hole</b>	1 Tap hole
<b>Building in type</b>	Standard		

	Bowl type	Bowl thickness (mm)	Bowl dimensions, WxDxH (mm)	Bowl depth (mm)	Radius corner right bowl (mm)	Overflow	Strainer position	Strainer dimension
RH Bowl	Minimum radius	1	400 x 340 x 200	200	15	Yes, flush fitted	Side bowl	3.5" Steel cover
LH Bowl	Minimum radius	1	180 x 340 x 156	160	15		Centre of bowl	3.5" Steel cover

## Technical Features



<b>Frame thickness</b>	0,7 mm	<b>Tap hole</b>	1
<b>Frame depth (mm)</b>	9	<b>Tap hole diameter</b>	35 mm
<b>Dimensions of the product WxDxH (mm)</b>	219x897x510 mm	<b>Dividing wall width</b>	30 mm
<b>Cutout dimension (mm)</b>	860 x 480 mm	<b>Drainer inclination</b>	2 °
<b>Cutout radius</b>	10 mm	<b>Gasket type</b>	Sealing paste
<b>Height from kitchen top</b>	10 mm	<b>No. of clips</b>	12
<b>Base unit size</b>	80 cm	<b>Type of clips</b>	Standard

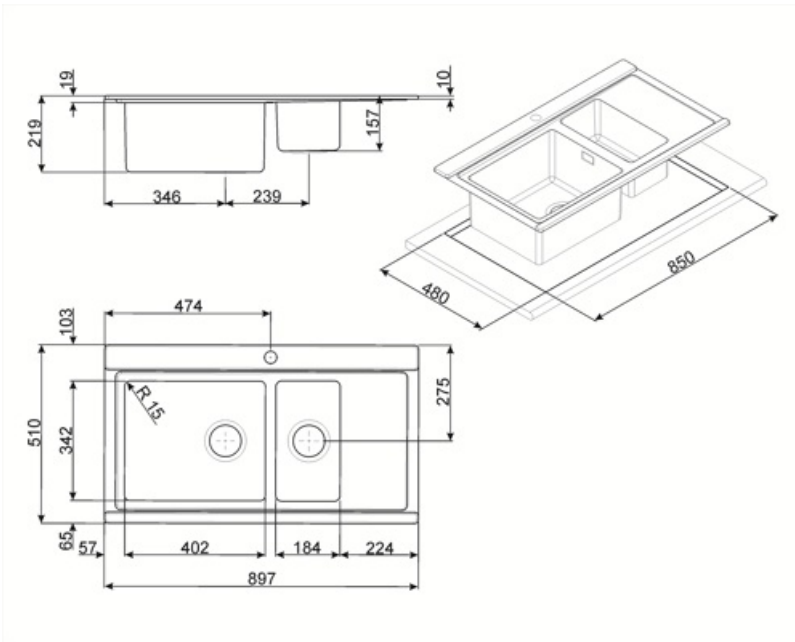
## Accessories Included

Accessories for installation

Strainer, Siphon with dishwasher outlet connection, Fixing clips, Gasket

Cover waste kit

Yes



---

## Compatible Accessories

---



### CVB40N2

Black sliding glass chopping board  
LINEA Stainless Steel under glass 2  
pieces each kit



### KITFD050

Waste disposal 0,5 HP Motor: 1/2  
horsepower Fits all sinks with 3 1/2"  
waste outlet



### KITFD100

Waste disposal 1 HP Motor: 1  
horsepower Fits all sinks with 3 1/2"  
waste outlet



### DB34

Cestello in filo inox per abbinamento  
alle vasche di dimensione 340\*400  
mm



### KITFD075

Waste disposal 0,75 HP Motor: 3/4  
horsepower Fits all sinks with 3 1/2"  
waste outlet



### STABMIX

Tap brace

---

## Symbols glossary

---



Cupboard width required for sink installation



Sink depth - depending on the model, the depth can be from 13 to 24,5



Sink depth - depending on the model, the depth can be from 13 to 24,5



Standard installation: Traditional installation in tabletop, suitable for any kitchen sets