

LRX902

Sink material	Stainless steel
Type	Welded sink
No. of bowls	2
EAN code	8017709208936



Aesthetics



Aesthetic	Linea	Building in type	Standard
Colour	Stainless steel	Logo	Embossed
Finishing	Brushed	Tap hole / precut tap hole	1 Tap hole

	Bowl type RH	Bowl thickness (mm)	Bowl dimensions, WxDxH (mm)	Bowl depth (mm)	Radius corner right bowl (mm)	Overflow	Strainer position	Strainer dimension
RH Bowl	Minimum radius	1	400 x 340 x 200	200	15	Yes, flush fitted	Side bowl	3.5" Steel cover
LH Bowl	Minimum radius	1	400 x 340 x 200	200	15		Side bowl	3.5" Steel cover

Technical Features



Frame thickness	0.7 mm	Tap hole	1
Frame depth (mm)	9	Tap hole diameter	35 mm
Dimensions of the product (mm)	219x897x510 mm	Dividing wall width	29 mm
Cutout dimension topmount (mm)	860 x 480 mm	Gasket type	Sealing paste
Undermount cutout radius	10 mm	No. of clips	12
		Type of clips	Standard

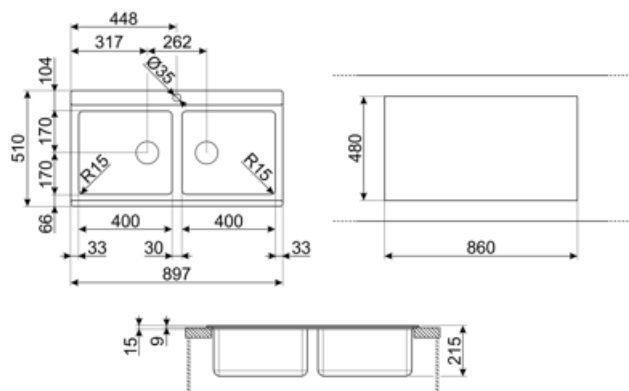
Height from kitchen top 10 mm
 Base unit size 90 cm

Accessories Included

Accessories for installation

Strainer, Savespace siphon with dishwasher outlet connection, Fixing clips, Gasket

Rondò Cover waste kit Yes



Compatible Accessories



3713

Siphon double bowls sinks (dishwasher connection included)



CB28QU

Single HPL chopping board for minimum radius, oak, measures 280 x 418 H 12 mm



COL19H

St/Steel colander to fit MINIMUM radius mm bowl, measures 200 x 410 x 100 mm



CVB40N2

LINEA black sliding glass and st/steel chopping board 450 x 400 mm (2 pcs each kit)



KITFD050

Waste disposal 0,5 HP, Motor: 1/2 horsepower, Fits all sinks with 3 1/2" waste outlet



KITFD100

Waste disposal 1 HP, Motor: 1/2 horsepower, Fits all sinks with 3 1/2" waste outlet



CB25MN

Single HPE chopping board to fit minimum radius bowls, black matt, measures 250 x 410 H 12 mm, dishwasher safe



COL19

St/Steel colander to fit MINIMUM radius mm bowl, measures 200 x 410 x 26 mm



COL36

St/steel colander for MINIMUM radius bowls, measures 370 x 410 x 30 mm



DB34

St/steel drain basket to fit STD radius 340 x 400 bowl, 180 mm depth



KITFD075

Waste disposal 0,75 HP, Motor: 1/2 horsepower, Fits all sinks with 3 1/2" waste outlet



RND2V


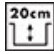

2 Bowls standard Rondò waste kit with rectangular overflow



STABMIX

Tap stabiliser

Symbols glossary

- | | | | |
|--|--|---|---|
|  | Cupboard width required for sink installation |  | Sink depth - depending on the model, the depth can be from 13 to 24,5 |
|  | Standard installation: Traditional installation in tabletop, suitable for any kitchen sets | | |