

LRX902

| | |
|---------------|-----------------|
| Sink material | Stainless steel |
| Type | Welded sink |
| No. of bowls | 2 |
| EAN code | 8017709208936 |



Aesthetics



| | | | |
|-----------|-----------------|----------------------------|------------|
| Aesthetic | Linea | Building in type | Standard |
| Colour | Stainless steel | Logo | Embossed |
| Finishing | Brushed | Tap hole / precut tap hole | 1 Tap hole |

| | Bowl type RH | Bowl thickness (mm) | Bowl dimensions, WxDxH (mm) | Bowl depth (mm) | Radius corner right bowl (mm) | Overflow | Strainer position | Strainer dimension |
|---------|----------------|---------------------|-----------------------------|-----------------|-------------------------------|-------------------|-------------------|--------------------|
| RH Bowl | Minimum radius | 1 | 400 x 340 x 200 | 200 | 15 | Yes, flush fitted | Side bowl | 3.5" Steel cover |
| LH Bowl | Minimum radius | 1 | 400 x 340 x 200 | 200 | 15 | | Side bowl | 3.5" Steel cover |

Technical Features



| | | | |
|--------------------------------|----------------|---------------------|---------------|
| Frame thickness | 0,7 mm | Tap hole | 1 |
| Frame depth (mm) | 9 | Tap hole diameter | 35 mm |
| Dimensions of the product (mm) | 219x897x510 mm | Dividing wall width | 29 mm |
| Cutout dimension topmount (mm) | 860 x 480 mm | Gasket type | Sealing paste |
| Undermount cutout radius | 10 mm | No. of clips | 12 |
| | | Type of clips | Standard |

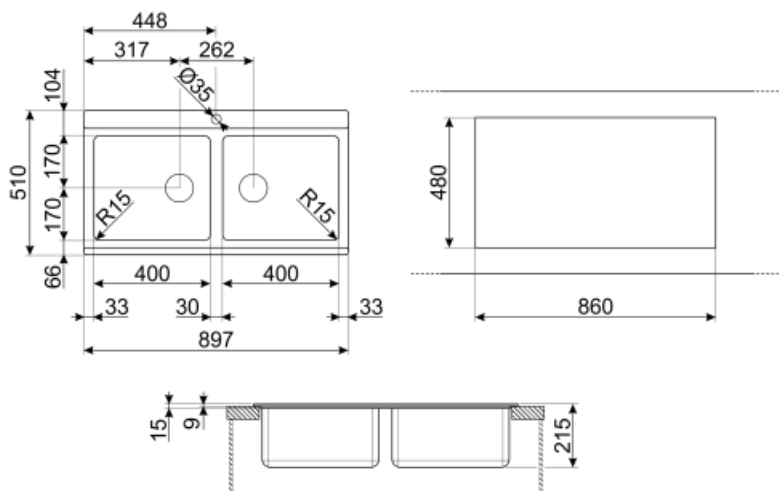
Height from kitchen top 10 mm
 Base unit size 90 cm

Accessories Included

Accessories for installation

Strainer, Savespace siphon with dishwasher outlet connection, Fixing clips, Gasket

Rondò Cover waste kit Yes



Not included accessories



KITFD050

Waste disposal 0,5 HP, Motor: 1/2 horsepower, Fits all sinks with 3 1/2" waste outlet



DB34

St/steel drain basket to fit STD radius 340 x 400 bowl, 180 mm depth



COL36

St/steel colander for MINIMUM radius bowls, measures 370 x 410 x 30 mm



KITFD100

Waste disposal 1 HP, Motor: 1/2 horsepower, Fits all sinks with 3 1/2" waste outlet



3713

Siphon double bowls sinks (dishwasher connection included)



STABMIX

Tap stabiliser



COL19H

St/Steel colander to fit MINIMUM radius mm bowl, measures 200 x 410 x 100 mm



COL19

St/Steel colander to fit MINIMUM radius mm bowl, measures 200 x 410 x 26 mm



CB25MN

Single HPE chopping board to fit minimum radius bowls, black matt, measures 250 x 410 H 12 mm, dishwasher safe



KITFD075

Waste disposal 0,75 HP, Motor: 1/2 horsepower, Fits all sinks with 3 1/2" waste outlet



CVB40N2

LINEA black sliding glass and st/steel chopping board 450 x 400 mm (2 pcs each kit)



RND2V


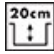

2 Bowls standard Rondò waste kit with rectangular overflow



CB28QU

Single HPL chopping board for minimum radius, oak, measures 280 x 418 H 12 mm

Symbols glossary (TT)

- | | | | |
|--|--|---|---|
|  | Cupboard width required for sink installation |  | Sink depth - depending on the model, the depth can be from 13 to 24,5 |
|  | Standard installation: Traditional installation in tabletop, suitable for any kitchen sets | | |