

LS102AL

Sink material	Cristalite
Type	Synthetic sink
No. of bowls	1 + 1/2
Drainer	Reversible
EAN code	8017709143886



Aesthetics



Colour	Aluminium	Alternative colours available	
Building in type	Standard	Half bowl cup drainer	No
Logo			

	Bowl type RH	Bowl thickness (mm)	Bowl dimensions, WxDxH (mm)	Bowl depth (mm)	Radius corner right bowl (mm)	Overflow	Strainer position	Strainer dimension
LH Bowl	Half bowl						Centre of bowl	3.5"

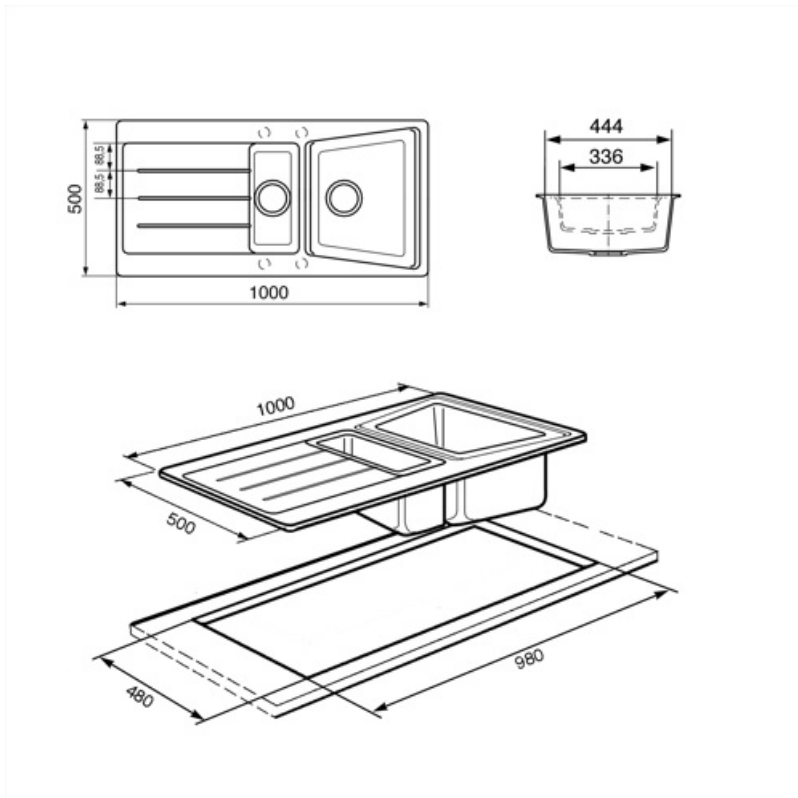
Technical Features






Frame thickness		Popup command	No
Frame depth (mm)		Dividing wall width	
Dimensions of the product (mm)	220x1170x510 mm	Drainer inclination	
Cutout dimension topmount (mm)	980 X 480 mm	Gasket type	Sealing paste
Cutout radius		Pre-assembled gasket	No
Height from kitchen top		No. of clips	
Base unit size	80 cm	Type of clips	
Tap hole	2		

Accessories Included

Accessories for installation	Strainer, Siphon with dishwasher outlet connection, Fixing clips, Gasket	Basket	No
		Wooden board	No
		White board	No
Colander	No		
Glass board	No		



Symbols glossary

- | | | | |
|--|---|---|--|
|  | Largura do armário necessária para a instalação da pia |  | Instalação padrão: Instalação tradicional em tampo de mesa, adequado para qualquer conjunto de cozinha |
|  | Graças ao furo duplo para torneira, a maioria de nossas pias são facilmente reversíveis, dando-lhe a flexibilidade de fazer qualquer tipo de composição de cozinha. | | |

Benefit (TT)

Two bowls

Two bowls for greater versatility and dual functionality

Drainer

The drawer allows dishes, cutlery and kitchen utensils to be placed directly on the sink after washing: excess water can drain into the sink, allowing for natural drying

Double tap hole

The sink is easily reversible, making it possible to create any type of kitchen composition