

LTS116S-2

Sink material	Stainless steel
Type	Welded sink
No. of bowls	2
Drainer	Left
EAN code	8017709128081

Aesthetics



Aesthetic	Universal	Logo	Embossed
Serie	Tratto	Alternative colours available	No
Colour	Stainless steel	Half bowl cup drainer	No
Acabamento	Escovado	Tap hole / precut tap hole	1 Tap hole
Building in type	Ultra-low profile		

	Bowl type RH	Bowl thickness (mm)	Bowl dimensions, WxDxH (mm)	Bowl depth (mm)	Radius corner right bowl (mm)	Overflow	Strainer position	Strainer dimension
RH Bowl	Traditional	0.7	400 x 450 x 210	210	80	No	Wall position	3.5"
LH Bowl	Traditional	0.7	400 x 450 x 210	210	80	Yes, traditional	Wall position	3.5"

Technical Features

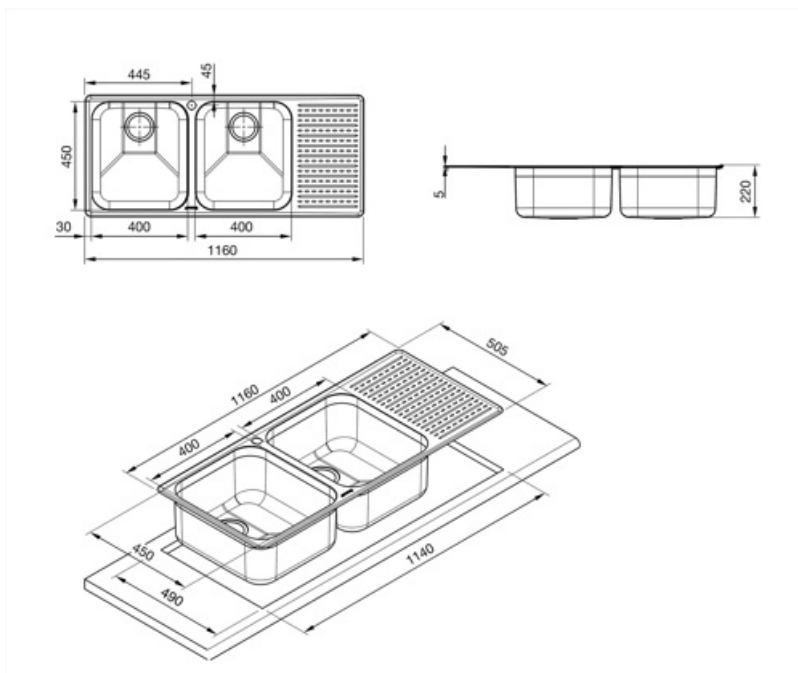


Frame thickness	0.7 mm	Popup command	No
Frame depth (mm)	10	Dividing wall width	30 mm
Dimensions of the product (mm)	220x1160x505 mm	Drainer inclination	2 °
Cutout dimension topmount (mm)	1140 x 480 mm	Gasket type	Sealing paste
Cutout radius	15 mm	Pre-assembled gasket	No
		No. of clips	12

Height from kitchen top	6 mm	Type of clips	Turning clip
Base unit size	90 cm		
Tap hole	1		

Accessories Included

Accessories for installation	Strainer, Siphon with dishwasher outlet connection, Fixing clips, Gasket	Basket	No
Colander	No	Wooden board	No
Glass board	No	White board	No



Compatible Accessories



KITFD050

Eliminação de resíduos 0,5 CV Motor:
1/2 cv Serve para todas as pias com
saída de resíduos de 3 1/2"



KITFD100

Eliminação de resíduos 1 CV Motor: 1 cv
Serve para todas as pias com saída de
resíduos de 3 1/2"



KITFD075

Eliminação de resíduos 0,75 CV Motor:
3/4 CV Adapta-se a todas as pias
com saída de resíduos de 3 1/2"



STABMIX

estabilizador para misturadores

Symbols glossary



Largura do armário necessária para a instalação da pia



Profundidade da pia - dependendo do modelo, a profundidade pode ser de 13 a 24,5



Perfil ultra baixo: Instalação de produto com borda plana - altura de 1 mm.

Benefit (TT)

Two bowls

Two bowls for greater versatility and dual functionality

Drainer

The drawer allows dishes, cutlery and kitchen utensils to be placed directly on the sink after washing: excess water can drain into the sink, allowing for natural drying

Tap hole

Possibility of having the tap hole for direct installation of the tap on the sink, for a larger and neater surface area