

LTS902-2

Sink material	Stainless steel
Type	Welded sink
No. of bowls	2
EAN code	8017709128036



Aesthetics



Serie	Tratto	Building in type	Ultra-low profile
Aesthetic	Universale	Logo	Embossed
Colour	Stainless steel	Tap hole / precut tap hole	1 Tap hole
Finishing	Brushed		

	Bowl type RH	Bowl thickness (mm)	Bowl dimensions, WxDxH (mm)	Bowl depth (mm)	Radius corner right bowl (mm)	Overflow	Strainer position	Strainer dimension
RH Bowl	Traditional	0.7	450 x 400 x 210	210	80	Yes, traditional	Wall position	3.5"
LH Bowl	Traditional	0.7	450 x 400 x 210	210	80		Wall position	3.5"

Technical Features



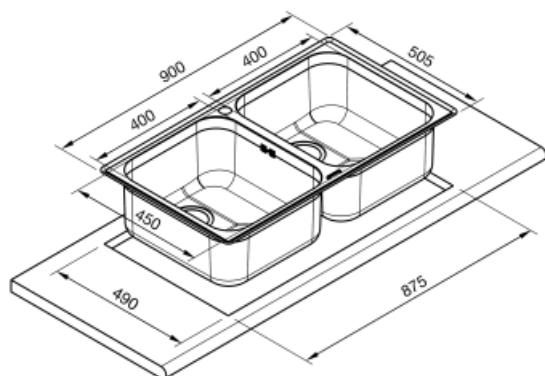
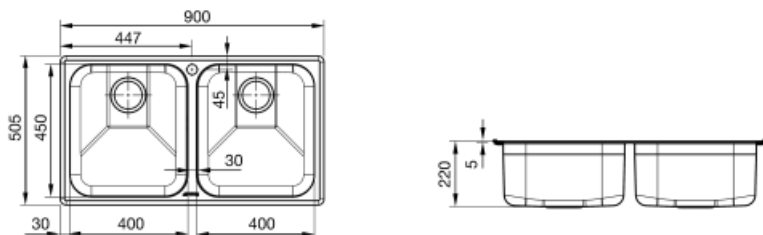
Frame thickness	0.7 mm	Base unit size	90 cm
Frame depth (mm)	10	Tap hole	1
Dimensions of the product (mm)	220x900x505 mm	Dividing wall width	30 mm
Cutout dimension topmount (mm)	875 X 490 mm	Gasket type	Sealing paste
Undermount cutout radius	15 mm	No. of clips	10
		Type of clips	Turning clip

Height from kitchen top 6 mm

Accessories Included

Accessories for installation

Strainer, Savespace siphon with dishwasher outlet connection, Fixing clips, Gasket



Not included accessories



KITFD050

Waste disposal 0,5 HP, Motor: 1/2 horsepower, Fits all sinks with 3 1/2" waste outlet



KITFD100

Waste disposal 1 HP, Motor: 1/2 horsepower, Fits all sinks with 3 1/2" waste outlet



STABMIX

Tap stabiliser



KITFD075


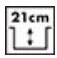

Waste disposal 0,75 HP, Motor: 1/2 horsepower, Fits all sinks with 3 1/2" waste outlet



KITFD050UK

Waste disposal 0,5 HP, Motor: 1/2 horsepower, Fits all sinks with 3 1/2" waste outlet, UK

Symbols glossary (TT)

- | | | | |
|--|---|---|---|
|  | Cupboard width required for sink installation |  | Sink depth - depending on the model, the depth can be from 13 to 24,5 |
|  | Ultra-low profile: Installation of product with flat edge - height of 1 mm. | | |